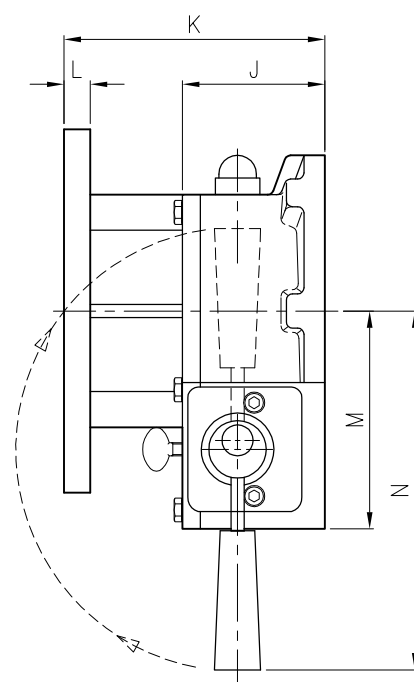
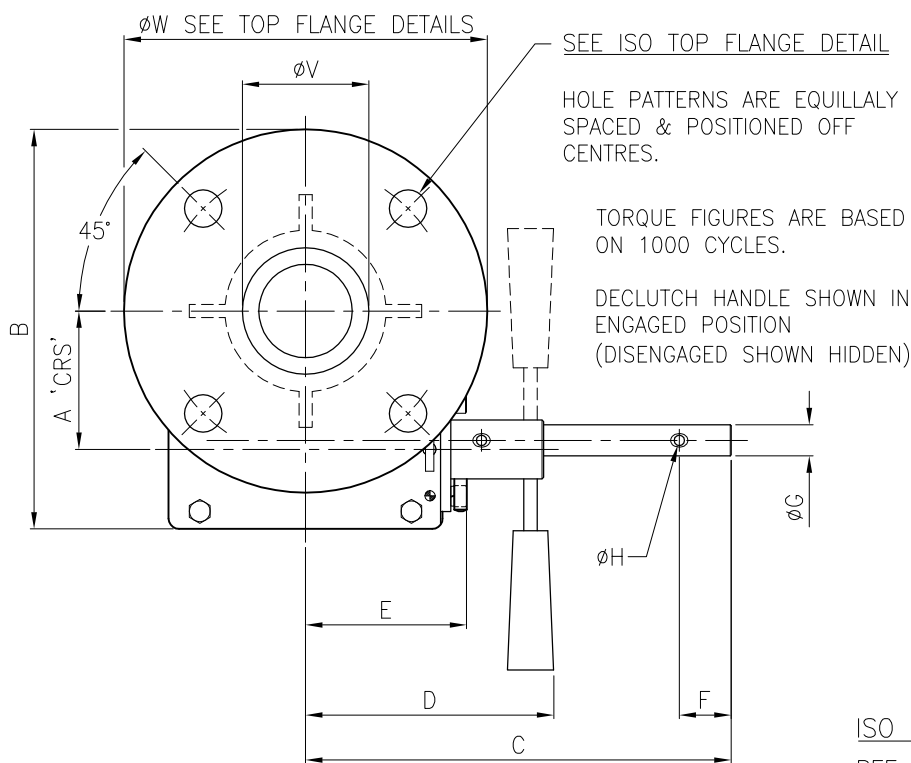
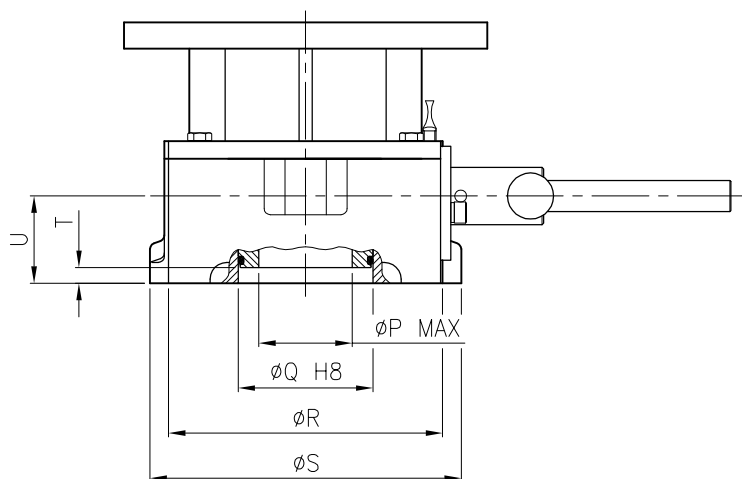


ACTUATOR: 'M' SERIES SIDE DECLUTCH



ISO BASE HOLE DETAILS

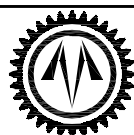
REF.	QTY.	TAPPINGS	PITCH CIRCLE
F05	4	X M6	ON A 50 PCD.
F07	4	X M8	ON A 70 PCD.
F10	4	x M10	ON A 102 PCD.
F12	4	X M12	ON A 125 PCD.
F14	4	X M16	ON A 140 PCD.
F16	4	X M20	ON A 165 PCD.
F20	8	X M12	ON A 197 PCD.



ISO TOP FLANGE DETAILS

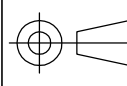
REF.	QTY.	HOLES	PITCH CIRCLE	ϕW
F05	4	X $\phi 6.6$	ON A 50 PCD.	65
F07	4	X $\phi 9$	ON A 70 PCD.	90
F10	4	x $\phi 11$	ON A 102 PCD.	125
F12	4	X $\phi 14$	ON A 125 PCD.	150
F14	4	X $\phi 18$	ON A 140 PCD.	175
F16	4	X $\phi 22$	ON A 165 PCD.	210

UNIT SIZE	ISO BASE HOLE PATTERNS	ISO TOP FLANGE HOLE PATTERNS	TRAVEL $\pm 5^\circ$	RATIO	TURNS TO CLOSE	MECHANICAL ADVANTAGE $\pm 10\%$	INPUT TORQUE Nm	OUTPUT TORQUE Nm												
M07SD	F05 & F07	F05 & F07	90°	51:1	12.8	9.0	37.6	339												
M10SD	F07, F10 & F12	F07 & F10	90°	55:1	13.8	15.1	44.9	678												
M12SD	F10, F12 & F14	F10, F12 & F14	90°	50:1	12.5	13.8	98.3	1356												
M14SD	F12, F14 & F16	F12, F14 & F16	90°	72:1	18	19.8	110.5	2187												
M15SD	F14, F16 & F20	F12, F14 & F16	90°	84:1	21	22.7	179.5	4076												
DIM'S	A	B	C	D	E	F	G	H	J	K	L	M	N	P	Q	R	S	T	U	V
M07SD	38.6	106.9	99.3	71.1	51.6	13.0	9.98/10.01	3.0	45.5	89.9	9.7	62.0	140.0	25.0	38.1	84.1	87.9	0.5	26.4	30.0
M10SD	52.0	158.5	158.5	103.2	64.6	20.0	11.94/11.98	4.0	56.0	100.4	12.7	83.5	154.7	32.0	50.0	106.0	116.0	4.5	35.1	45.7
M12SD	66.6	192.5	205.0	119.5	77.6	25.0	14.94/14.98	5.0	68.5	125.7	12.7	105.0	173.0	45.0	65.0	132.0	150.0	7.5	42.0	61.0
M14SD	98.5	230.1	205.2	134.0	94.1	25.0	14.94/14.98	5.0	78.0	135.1	12.7	131.0	195.8	65.0	90.0	165.0	192.0	7.5	50.0	86.5
M15SD	295.5	123.0	260.1	150.4	118.6	32.0	19.94/19.98	6.0	88.5	152.0	12.7	178.0	230.5	86.0	115.0	222.0	252.0	9.5	50.0	88.9



OPPERMAN MASTERGEAR

Hambridge Lane, Newbury, Berkshire, RG14 5TS. ENGLAND
Tel: 01635 811500 Fax: 01635 811501 E-Mail: sales@opperman-mastergear.co.uk



To BS308

DIMENSIONS IN
MM [INCHES]

DATE 16Feb09
DRAWN MAB
CHECKED ---
SCALE 1:1

This drawing/design is the property of OPPERMAN MASTERGEAR Ltd. © and must not be used or copied without their specific written consent. Specifications may change without prior notification

DRG No. ME-16101

REV. C