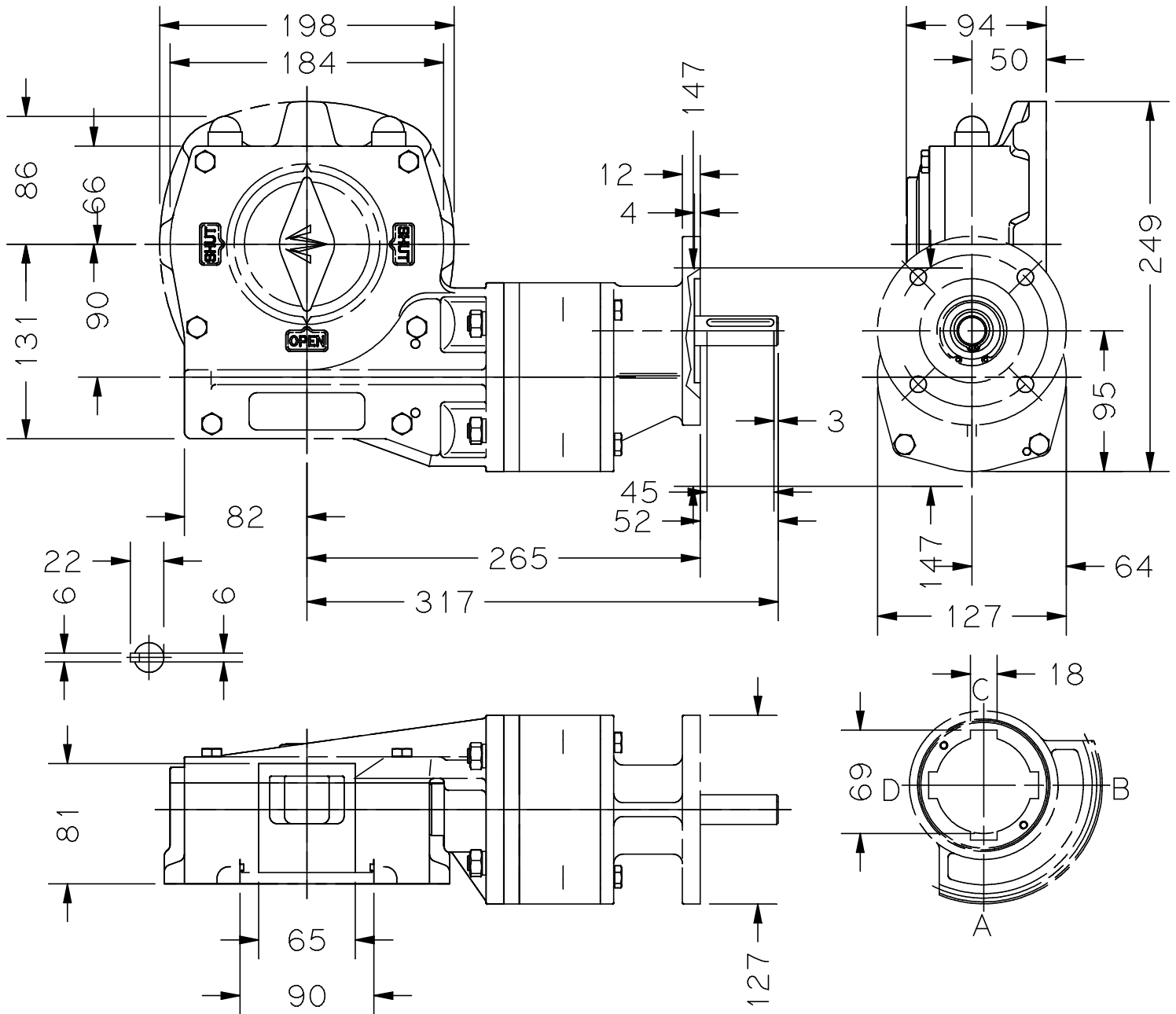


# ACTUATOR: MF 14/SI3.5/F 10 SLO39



## GENERAL INFORMATION

TRAVEL..... $90^\circ \pm 5^\circ$  AT BOTH ENDS  
 RATIO.....210:1  
 TURNS TO CLOSE.....52.5

MECHANICAL ADVANTAGE..... $53.5 \pm 10\%$   
 MAXIMUM OUTPUT TORQUE.....1800 Nm  
 MAXIMUM INPUT TORQUE.....111 Nm

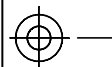
MOUNTING HOLE DETAIL: PREFERRED...F14  
 MAXIMUM.....F16  
 MINIMUM.....F12

APPROXIMATE WEIGHT.....17 kg



**MASTERGEAR**

A REGAL BELOIT COMPANY  
 5466 EAST ROCKTON RD. SOUTH BELOIT, IL 61080



DIMENSIONS  
 IN  
 INCHES

SCALE

1:4

DRAWING  
 No.

MF 14/SI3.5/  
 F 10

THIS PRINT IS CONFIDENTIAL AND IS THE PROPERTY OF MASTERGEAR. THIS PRINT SHALL NOT BE USED, COPIED OR REPRODUCED IN WHOLE OR IN PART NOR SHALL THE CONTENTS BE REVEALED IN ANY MANNER TO ANYONE UNLESS WRITTEN PERMISSION IS OBTAINED FROM MASTERGEAR.

REV. MVG  
 05.10.07