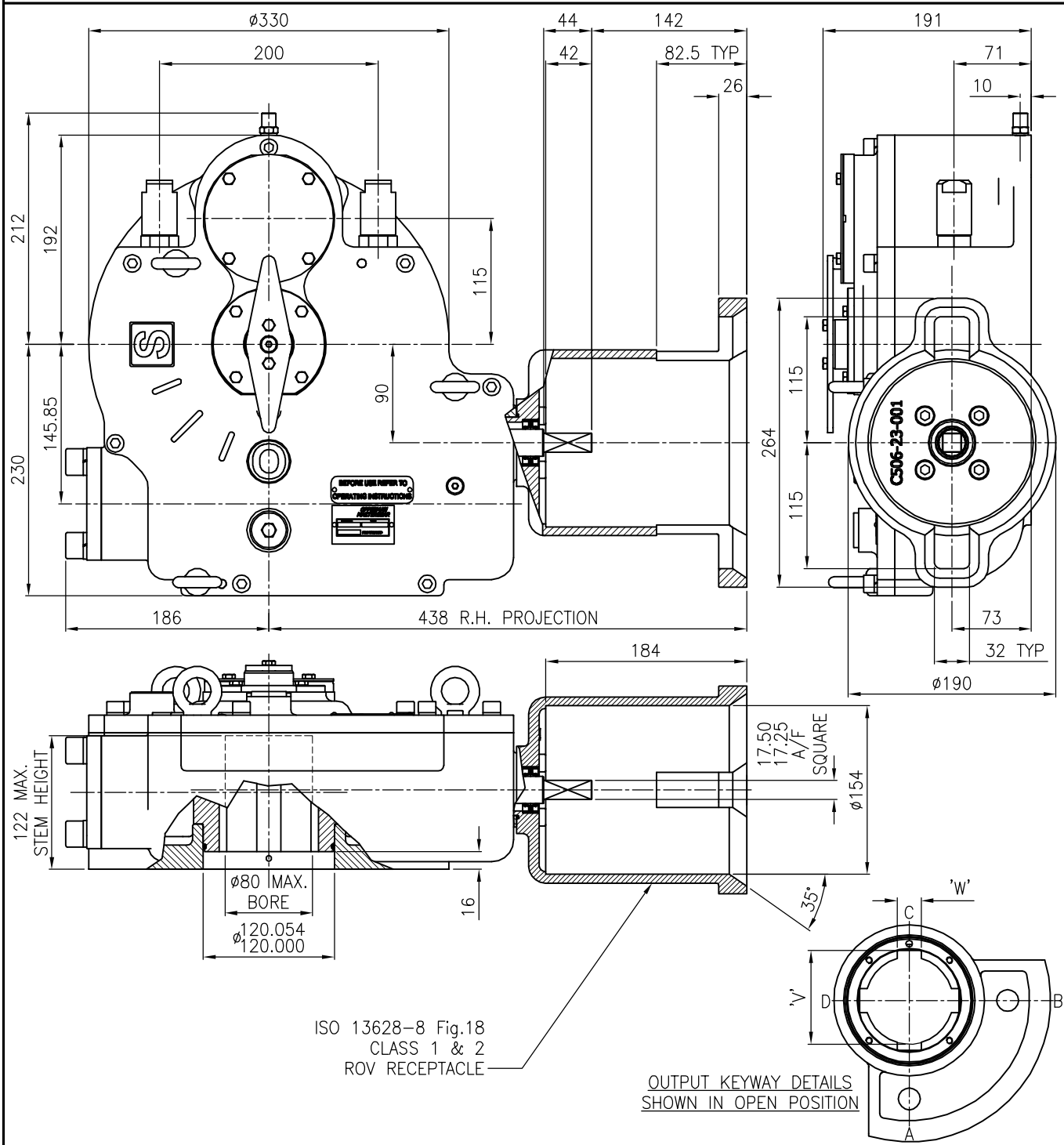


# ACTUATOR: M20 SUBSEA (CLASS 1 & 2) SL150



TRAVEL .....	90° ±5° AT BOTH ENDS	MECHANICAL ADVANTAGE .....	57.0 ± 10%
RATIO .....	183:1	MAXIMUM OUTPUT TORQUE(1000 Cycles).	8000 Nm
TURNS TO CLOSE .....	45.75	MAXIMUM INPUT TORQUE .....	140 Nm

MOUNTING HOLE DETAIL (ISO 5211)		APPROXIMATE WEIGHT .....	92.0 kg
PREFERRED .....	F25 (8 x M16 ON 254 PCD)		
MAXIMUM .....	F30 (8 x M20 ON 298 PCD)		
MINIMUM .....	F16 (4 x M20 ON 165 PCD)		

 <b>OPPERMAN MASTERGEAR</b> Hambridge Lane, Newbury, Berkshire, RG14 5TS. ENGLAND Tel: 01635 811500 Fax: 01635 811501 E-Mail: sales@opperman-mastergear.co.uk	 To BS308	DIMENSIONS IN MM [INCHES]	DATE	26Aug08
			DRAWN	PAB
			CHECKED	
			SCALE	1:5
This drawing/design is the property of OPPERMAN MASTERGEAR Ltd. © and must not be used or copied without their specific written consent. Specifications may change without prior notification			DRG No.	ME-16162-2
			REV.	A