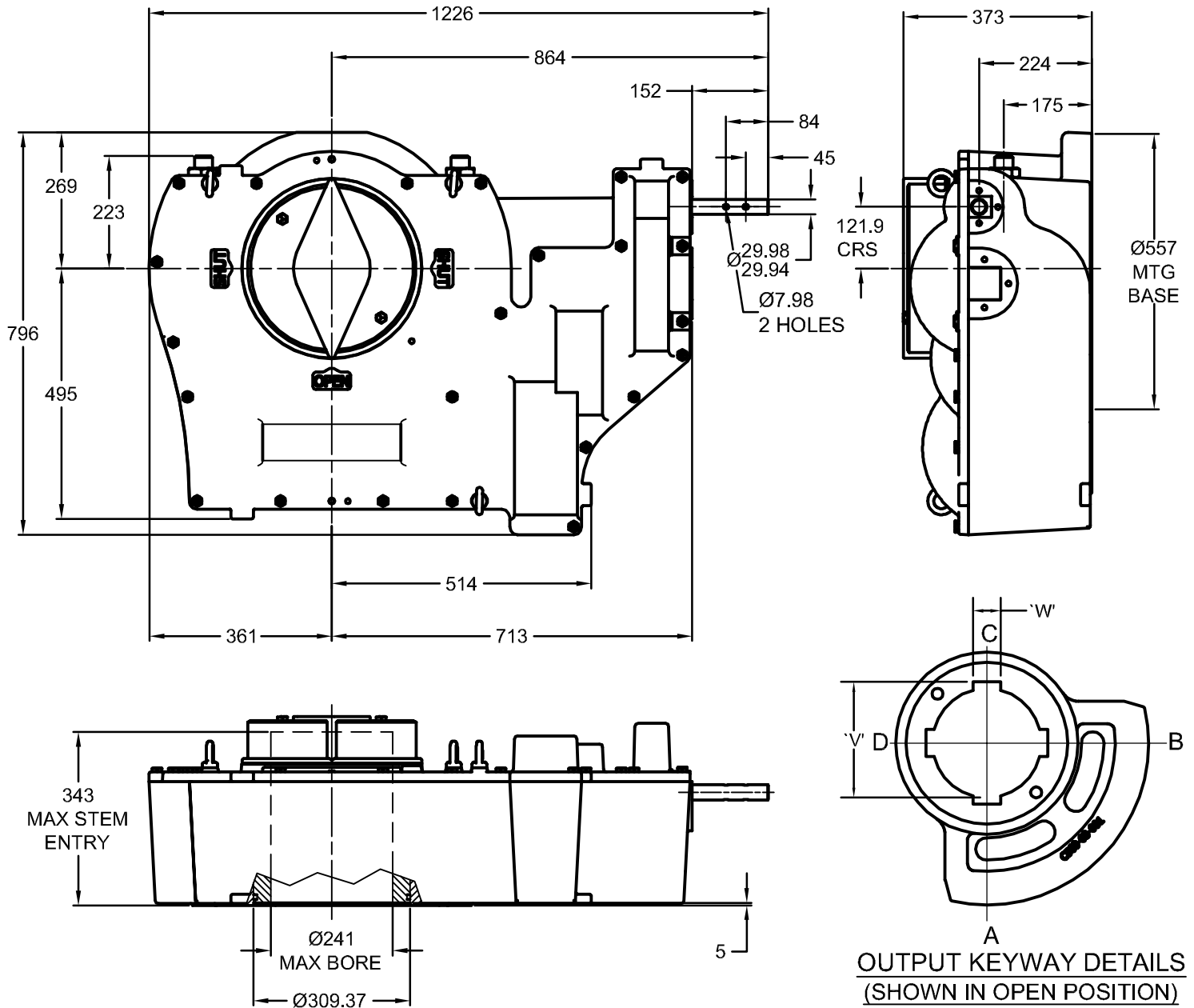


ACTUATOR: M60

SL039



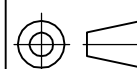
GENERAL INFORMATION

TRAVEL.....90° ±5° AT BOTH ENDS
 RATIO.....3407.8:1
 TURNS TO CLOSE.....851.96
 MECHANICAL ADVANTAGE...1,102.1 ±10%

MAXIMUM OUTPUT TORQUE(1000 CYCLES).... 135,035 Nm
 MAXIMUM OUTPUT TORQUE(2500 CYCLES).... 112,584 Nm
 MAXIMUM INPUT TORQUE(1000 CYCLES).....123 Nm
 MAXIMUM INPUT TORQUE(2500 CYCLES).....102 Nm

MOUNTING HOLE DETAIL: PREFERRED....F48 (12 x M36 ON 483 BCD)
 (ISO 5211) MAXIMUM.....F48
 MINIMUM.....F40 (8 x M36 ON 406 BCD)

APPROXIMATE WEIGHT.....795 Kg



DIMENSIONS
 IN
 INCHES

SCALE

1:12

DRAWING
 No.

M60
 METRIC

THIS PRINT IS CONFIDENTIAL AND IS THE PROPERTY OF MASTERGEAR. THIS PRINT SHALL NOT BE USED, COPIED OR REPRODUCED IN WHOLE OR IN PART NOR SHALL THE CONTENTS BE REVEALED IN ANY MANNER TO ANYONE UNLESS WRITTEN PERMISSION IS OBTAINED FROM MASTERGEAR. ©

JLP

REV. A
 9/17/09