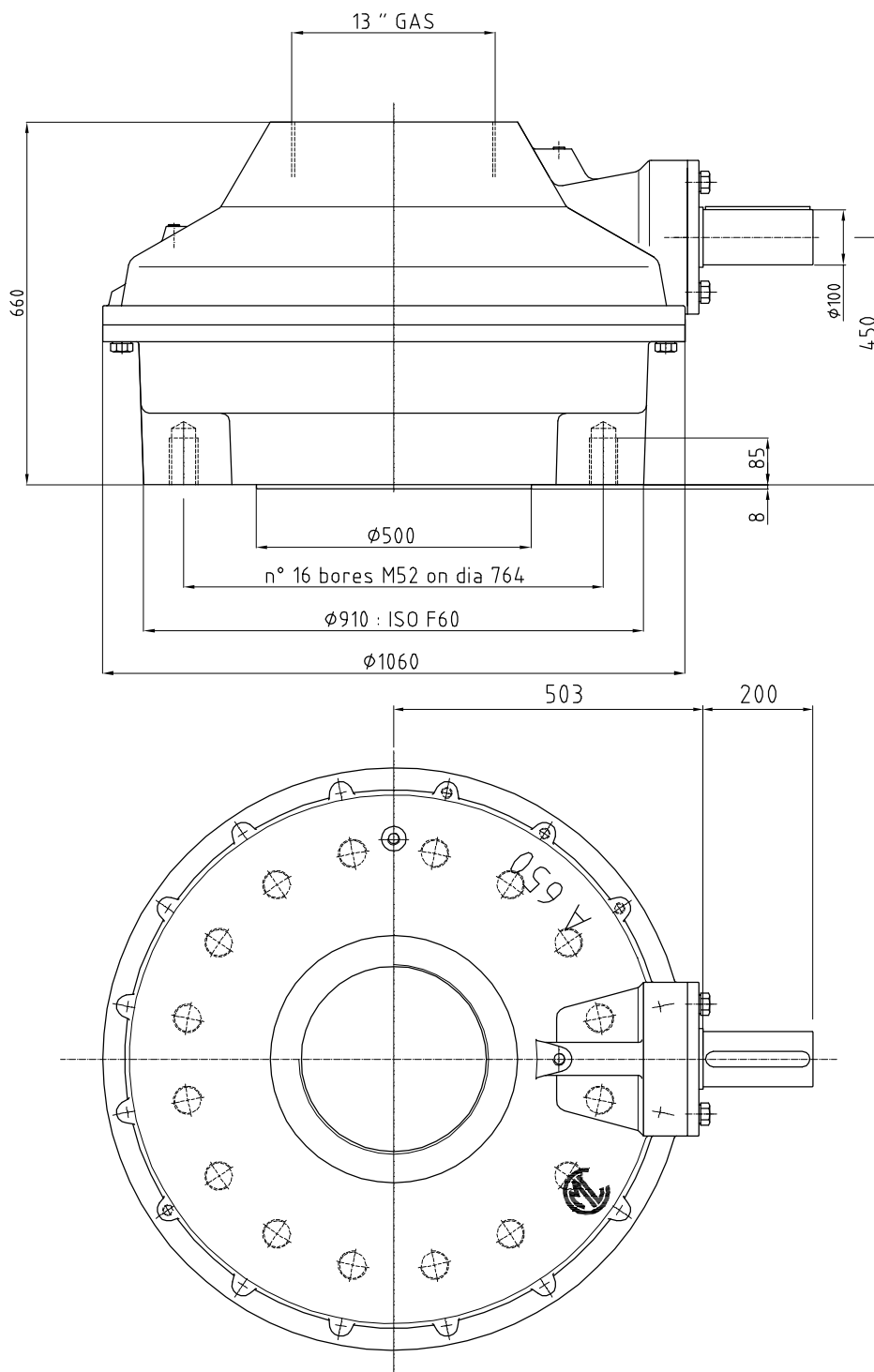


# ACTUATOR TYPE : A650 R - A650 S



## GENERAL INFORMATION

MAX THRUST ( ONLY R TYPE ) : 6 500 kN  
 MAX OUTPUT TORQUE ..... : 70 000 Nm  
 RATIO ... : 6 : 1 - M.A. ... : 5.10  
 MAX INPUT TORQUE ..... : 13 725 Nm

OUTPUT FLANGE ..... : SPECIAL  
 MAX STEM CAPACITY ... : A650R = 230 mm  
 MAX STEM CAPACITY ... : A650S = 280 mm  
 APPROXIMATE WEGHT ... : 900 Kg

DRAWING N° : 918.A650

DATE : 28-11-2006 - SCALE 1: 1

DRAW : D. LICCARDI



**COSTRUZIONI MECCANICHE LEGNANESI s.r.l.**

**MASTERGEAR™**

