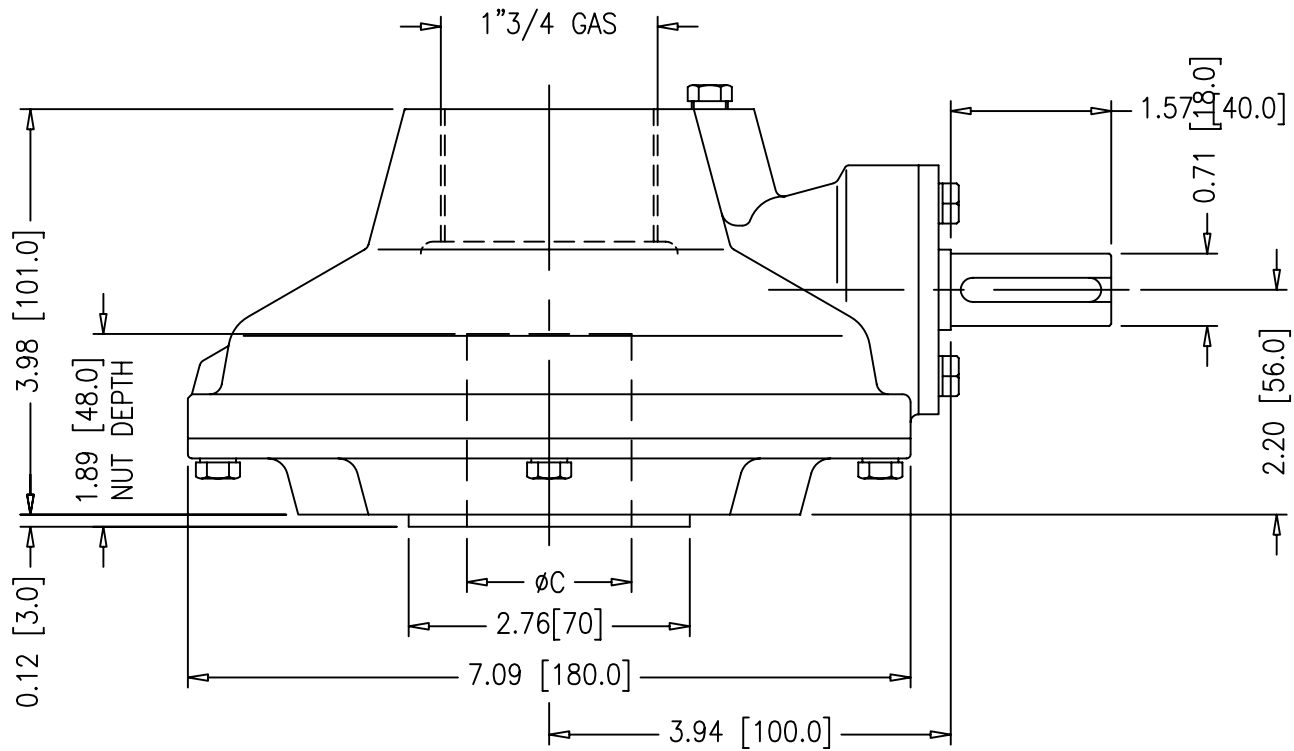
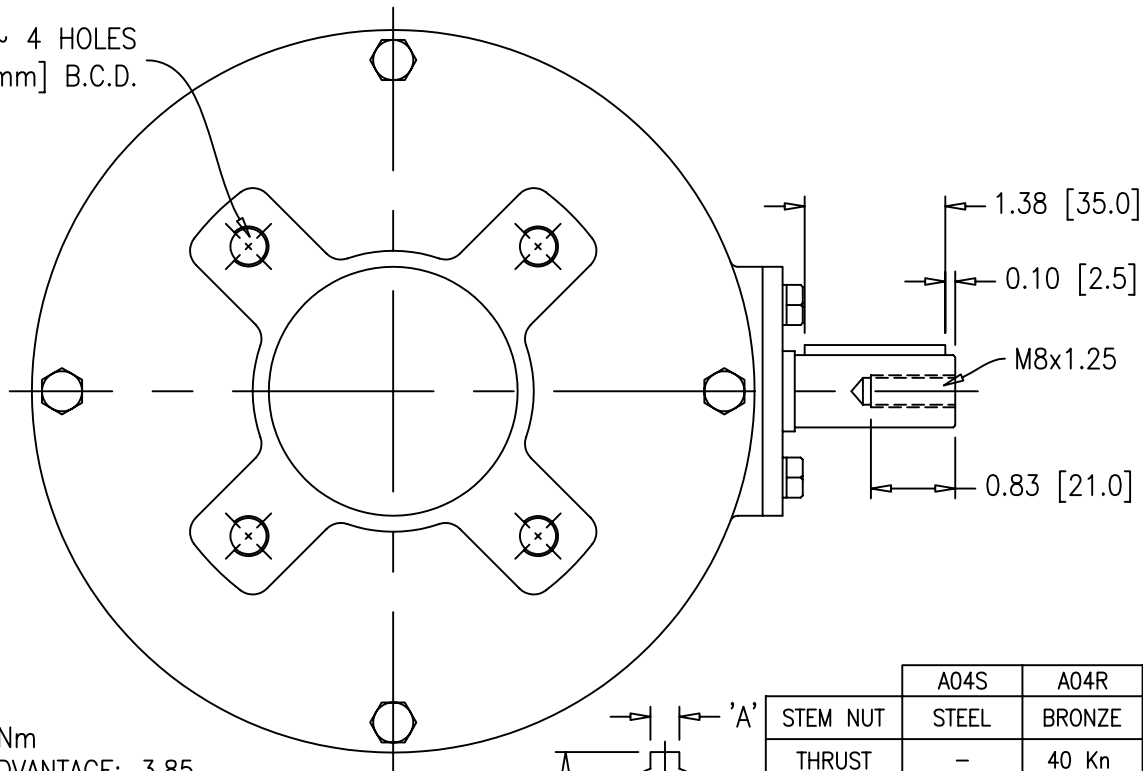


# A04 BEVEL GEAR ISO



M10 TAP ~ 4 HOLES  
ON A 4.00 [102mm] B.C.D.



## NOTES:

1. TORQUE: 300 Nm
2. MECHANICAL ADVANTAGE: 3.85
3. RATIO: 4.5:1
4. DIMENSIONS: IN [MM]
5. OUTPUT FLANGE: ISO F10

	A04S	A04R
STEM NUT	STEEL	BRONZE
THRUST	-	40 Kn
'A' MAX	14	-
'B' MAX	48.8	-
ø 'C' MAX	45	40



**COSTRUZIONI MECCANICHE LEGNANESI**

**MASTERGEAR**

DIVISION OF REGAL-BELOIT CORPORATION  
5466 EAST ROCKTON RD. · SOUTH BELOIT, IL 61080

THIS DRAWING/DESIGN IS  
THE PROPERTY OF  
MASTERGEAR. AND MUST  
NOT BE USED WITHOUT  
THEIR SPECIFIC WRITTEN  
CONSENT. ©

DO  
NOT  
SCALE  
APPROVED BY  
LD

DRAWING  
No.  
**A04 ISO**  
REV.0  
16-04-03