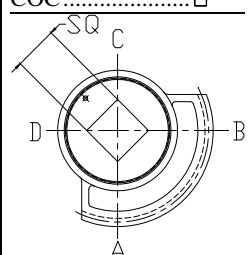
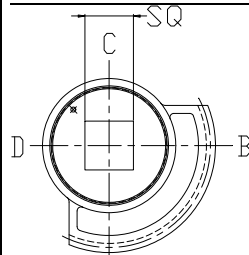
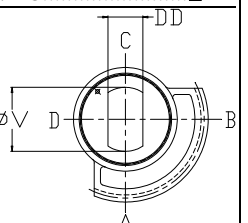
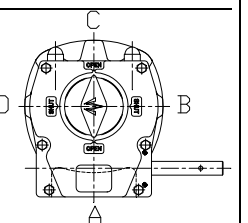




## Ordering Datasheet for SD-Serie

**Mastergear GmbH**

Order-No.:		Cust.Ref.:		Order-Qty:		Unit-price, net.:	
Unit Frame Size	Actuator flange	Input Details	Output flange	Output bore details		Ancillary equipment	
M07 SD..... <input type="checkbox"/> M10 SD..... <input type="checkbox"/> M12 SD..... <input type="checkbox"/> M14 SD..... <input type="checkbox"/> M15 SD..... <input type="checkbox"/> M20 SD..... <input type="checkbox"/> M30 SD..... <input type="checkbox"/>  <u>Output closing direction:</u> clockwise..... <input type="checkbox"/>  <u>Specification:</u> SL039..... <input type="checkbox"/> SL040..... <input type="checkbox"/> SL020..... <input type="checkbox"/> SL021..... <input type="checkbox"/> SL120..... <input type="checkbox"/> SLo other..... <input type="checkbox"/>  <u>Painting:</u> Primer red oxide. <input type="checkbox"/>  Other paint ..... Pls. specify!	Flange acc. to DIN 3220 incl. Recess: F07 ..... <input type="checkbox"/> F10 ..... <input type="checkbox"/> F12 ..... <input type="checkbox"/> F14 ..... <input type="checkbox"/> F16 ..... <input type="checkbox"/> F25 ..... <input type="checkbox"/>  <u>Torque plug</u> required between Actuator and quadrant:..... <input type="checkbox"/>  <b>Actuator square size:</b> SQ14..... <input type="checkbox"/> SQ17..... <input type="checkbox"/> SQ22..... <input type="checkbox"/> SQ27..... <input type="checkbox"/> SQ36..... <input type="checkbox"/> SQ46..... <input type="checkbox"/> SQ55..... <input type="checkbox"/> SQ..... <input type="checkbox"/>  <b>Square Position</b> (see output bore details for reference)  COC ..... <input type="checkbox"/> //AC..... <input type="checkbox"/>	RH input ..... <input type="checkbox"/>  <u>Input shaft details:</u> for handwheel with pin hole ..... <input type="checkbox"/>  <u>Input closing direction:</u> clockwise..... <input type="checkbox"/>  Recess acc. to Spec 5211 ..... <input type="checkbox"/>  Spigot acc. to Spec 5211 ..... <input type="checkbox"/>	Flange acc. to DIN/ISO 5211, excl. Recess: F05..... <input type="checkbox"/> F07..... <input type="checkbox"/> F10..... <input type="checkbox"/> F12..... <input type="checkbox"/> F14..... <input type="checkbox"/> F16..... <input type="checkbox"/> F25..... <input type="checkbox"/> F30..... <input type="checkbox"/>  Recess acc. to Spec 5211 ..... <input type="checkbox"/>  Spigot acc. to Spec 5211 ..... <input type="checkbox"/>	<b>Round Bore:</b> Diameter .....mm Tolerance H8 ..... Valve shaft lengths .....mm  Special dimensions see enclosed drawing No .....  Keyway acc. to: DIN 6885 ..... other.....  Pos. of keyway acc. sketch below: A ..... <input type="checkbox"/> B ..... <input type="checkbox"/> C ..... <input type="checkbox"/> D ..... <input type="checkbox"/>	<b>Square Bore</b> SQ-Size:..... mm Valve shaft lengths ..... mm  <b>Square position:</b> COC..... <input type="checkbox"/>  //AC..... <input type="checkbox"/>  Quadrant shown in open position!	<b>Flatted bore:</b> SW ..... Valve shaft diameter <b>V:</b> ..... Valve shaft lengths .....  Position of flatted bore : //AC..... <input type="checkbox"/>  Other, pls. attach drawing: .....  Denomination of the coordinates (in open position, clockwise closing).	<b>Handwheel:</b> R6..... <input type="checkbox"/> R8..... <input type="checkbox"/> R10..... <input type="checkbox"/> R14..... <input type="checkbox"/> R18..... <input type="checkbox"/> R24..... <input type="checkbox"/> R30..... <input type="checkbox"/> other ..... <input type="checkbox"/>  <b>Isolating Valve assembling required</b> Type A ..... <input type="checkbox"/> Type B..... <input type="checkbox"/>  Specification of isolating valves: <b>Type A:</b> Hörbiger K9.323RF-1/8-SO, Art.No. PD39554  <b>Type B:</b> Hörbiger K9.321RF-1/8,Art.No. PA10272  This parts and fixing are not in price of gearbox!