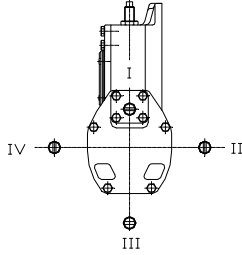
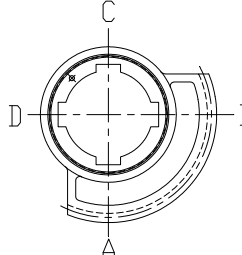
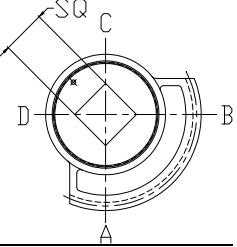
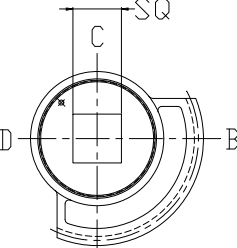
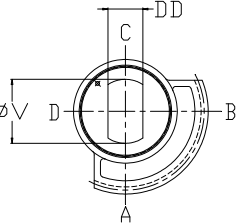
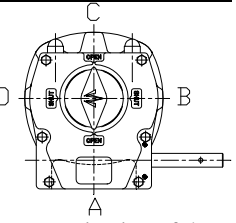




## Ordering Datasheet for M..F-Serie

**Mastergear GmbH**

Order-No.:		Cust.Ref.:		Order-Qty:		Unit-price, net.:	
Unit Frame Size	Spur gear	Input Details	Output flange	Output bore details		Ancillary equipment	
MTF50 ..... M83 ..... M125..... M160..... M200..... M260.....  <b>Output closing direction:</b> clockwise..... <input type="checkbox"/> anti-clockwise..... <input type="checkbox"/>  <b>Specification:</b> SL039..... <input type="checkbox"/> SL020..... <input type="checkbox"/> SL021..... <input type="checkbox"/> SL040..... SL050..... SL072.....  <b>Painting:</b> Primer red oxide.... ..... <input type="checkbox"/> Other paint ..... Pls. specify colour .....	S3 ..... <input type="checkbox"/> S5 ..... <input type="checkbox"/> D9..... <input type="checkbox"/> D12..... <input type="checkbox"/> D15..... <input type="checkbox"/> DB6..... <input type="checkbox"/> DB9..... <input type="checkbox"/> DB12..... <input type="checkbox"/> D9/S3 ..... <input type="checkbox"/> D12/S3 ..... <input type="checkbox"/> D15/S3 ..... <input type="checkbox"/> DB6/D9 ..... <input type="checkbox"/> DB9/D9 ..... <input type="checkbox"/> DB12/D9 ..... <input type="checkbox"/>  <b>Mounting Position of Spur:</b> RH mounting..... <input type="checkbox"/> LH mounting..... <input type="checkbox"/>  <b>Position of input shaft (I = Standard)</b>    I <input type="checkbox"/> II <input type="checkbox"/> III <input type="checkbox"/> IV <input type="checkbox"/>	RH input ..... <input type="checkbox"/> LH input ..... <input type="checkbox"/>  Input shaft details plain..... <input type="checkbox"/> for handwheel with pin hole ..... <input type="checkbox"/>  keyed acc. to DIN 6885 ..... <input type="checkbox"/>  double input..... <input type="checkbox"/>  <b>Input adapter:</b> F10..... <input type="checkbox"/> F12..... <input type="checkbox"/> F14..... <input type="checkbox"/> F16..... <input type="checkbox"/> F25..... <input type="checkbox"/> G0..... <input type="checkbox"/> G1/2..... <input type="checkbox"/> G..... <input type="checkbox"/>  <b>Input closing direction:</b> clockwise input to close ..... <input type="checkbox"/>  anti-clockwise input to close ..... <input type="checkbox"/>	ISO 5211 F.....  Recess acc. to Spec .....  Spigot acc. to Spec .....  <b>Special Flange:</b> No. of holes ..... ..... Size/Thread:..... ..... B.C.D..... ..... Holes on centre .... ..... Holes off centre ... ..... Special ..... ..... .....	<b>Round Bore:</b> Diameter .....mm Tolerance H8 ..... Valve shaft lengths .....mm  Special dimensions see enclosed drawing No .....  Keyway acc. to: DIN 6885 .....  other.....  Pos. of keyway acc. sketch below: A ..... <input type="checkbox"/> B ..... <input type="checkbox"/> C ..... <input type="checkbox"/> D ..... <input type="checkbox"/>   Quadrant shown in open position!	<b>Square Bore</b> SQ-Size:..... mm  Valve shaft lengths ..... mm  <b>Square position:</b> COC..... <input type="checkbox"/>   //AC..... <input type="checkbox"/>   Quadrant shown in open position!	<b>Flatted bore:</b> SW .....  Valve shaft diameter <b>V:</b> .....  Valve shaft lengths .....  Position of flatted bore : //AC..... <input type="checkbox"/>    Other, pls. attach drawing: .....   Denomination of the coordinates (in open position, clockwise closing).	<b>Handwheel:</b> R8..... <input type="checkbox"/> R10..... <input type="checkbox"/> R12..... <input type="checkbox"/> R14..... <input type="checkbox"/> R18..... <input type="checkbox"/> R24..... <input type="checkbox"/> R30..... <input type="checkbox"/> R36..... <input type="checkbox"/> ..... <input type="checkbox"/>  <b>Input-Padlocking-Flange</b> ..... <input type="checkbox"/>  <b>Limit switch</b> assembling plate for OPEN ..... <input type="checkbox"/> for CLOSED ..... <input type="checkbox"/>  with Box..... <input type="checkbox"/>  Pls. attach switch details, drawing and type of box. .....