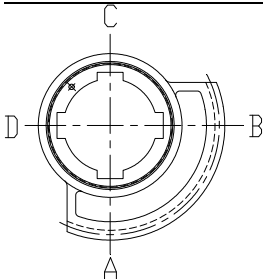
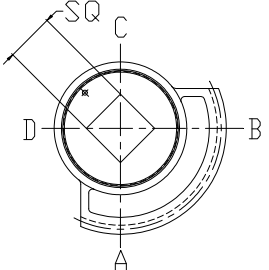
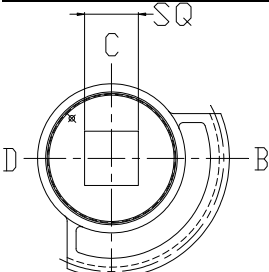
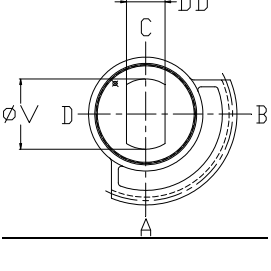
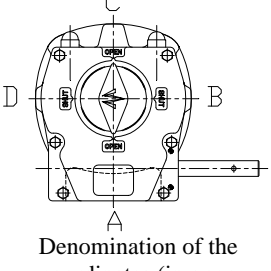




Ordering Datasheet for 9800-Serie

Mastergear GmbH

Order-No.: _____ Cust.Ref.: _____ Order-Qty: _____ Unit-price, net _____

Unit Frame Size	Input Details	Output flange	Output bore details	Ancillary equipment		
9801..... <input type="checkbox"/> 9804..... <input type="checkbox"/> 9807..... <input type="checkbox"/> With drive bush: 9801/DB1..... <input type="checkbox"/> 9804/DB4..... <input type="checkbox"/> 9807/DB7..... <input type="checkbox"/> Output closing direction: clockwise to close..... <input type="checkbox"/> Specification: SL039..... <input type="checkbox"/> SL040..... <input type="checkbox"/> SL021..... <input type="checkbox"/> Painting: without paint..... <input type="checkbox"/> with powder paint..... <input type="checkbox"/> Colour - Black - <input type="checkbox"/> Other, pls. describe	RH input..... <input type="checkbox"/> Input shaft details for handwheel with pin hole..... <input type="checkbox"/> with extended input shaft: shaft lengths from C/L gearbox - end of shaft: 981 - mm..... <input type="checkbox"/> 984 - mm..... <input type="checkbox"/> 987 - mm..... <input type="checkbox"/> Input closing direction: clockwise input to close..... <input type="checkbox"/>	ISO 5211 F05..... <input type="checkbox"/> F07..... <input type="checkbox"/> F10..... <input type="checkbox"/> F12..... <input type="checkbox"/> F14..... <input type="checkbox"/> Special Flange: No. of holes..... Size/Thread:..... B.C.D..... Holes on centre..... <input type="checkbox"/> Holes off centre..... Special.....	Round Bore: Diameter.....mm Tolerance H8..... <input type="checkbox"/> Valve shaft lengths.....mm Special dimensions see enclosed drawing No..... Keyway acc. to: DIN 6885..... <input type="checkbox"/> other..... <input type="checkbox"/> Pos. of keyway acc. sketch below: A..... <input type="checkbox"/> B..... <input type="checkbox"/> C..... <input type="checkbox"/> D..... <input type="checkbox"/>  <p style="text-align: center;">Quadrant shown as Valve in open position!</p>	Square Bore SQ-Size.....mm Valve shaft lengths.....mm Square position: COC..... <input type="checkbox"/>  <p style="text-align: center;">//AC.....<input type="checkbox"/></p>  <p style="text-align: center;">Quadrant shown in open position!</p>	Flatted bore: DD.....mm Valve shaft diameter V:.....mm Valve shaft lengths.....mm Position of flatted bore : //AC..... <input type="checkbox"/>  Other, pls. attach drawing:  <p style="text-align: center;">Denomination of the coordinates (in open position, clockwise to close)</p>	Handwheel: SR5..... <input type="checkbox"/> SR8..... <input type="checkbox"/> SR10..... <input type="checkbox"/> SR12..... <input type="checkbox"/> R8..... <input type="checkbox"/> R10..... <input type="checkbox"/> R12..... <input type="checkbox"/> R14..... <input type="checkbox"/> Input-Padlocking-Flange <input type="checkbox"/> Limit switch assembling: for OPEN..... <input type="checkbox"/> for CLOSED..... <input type="checkbox"/> with Box..... <input type="checkbox"/> Pls. attach switch details, drawing and type of box.