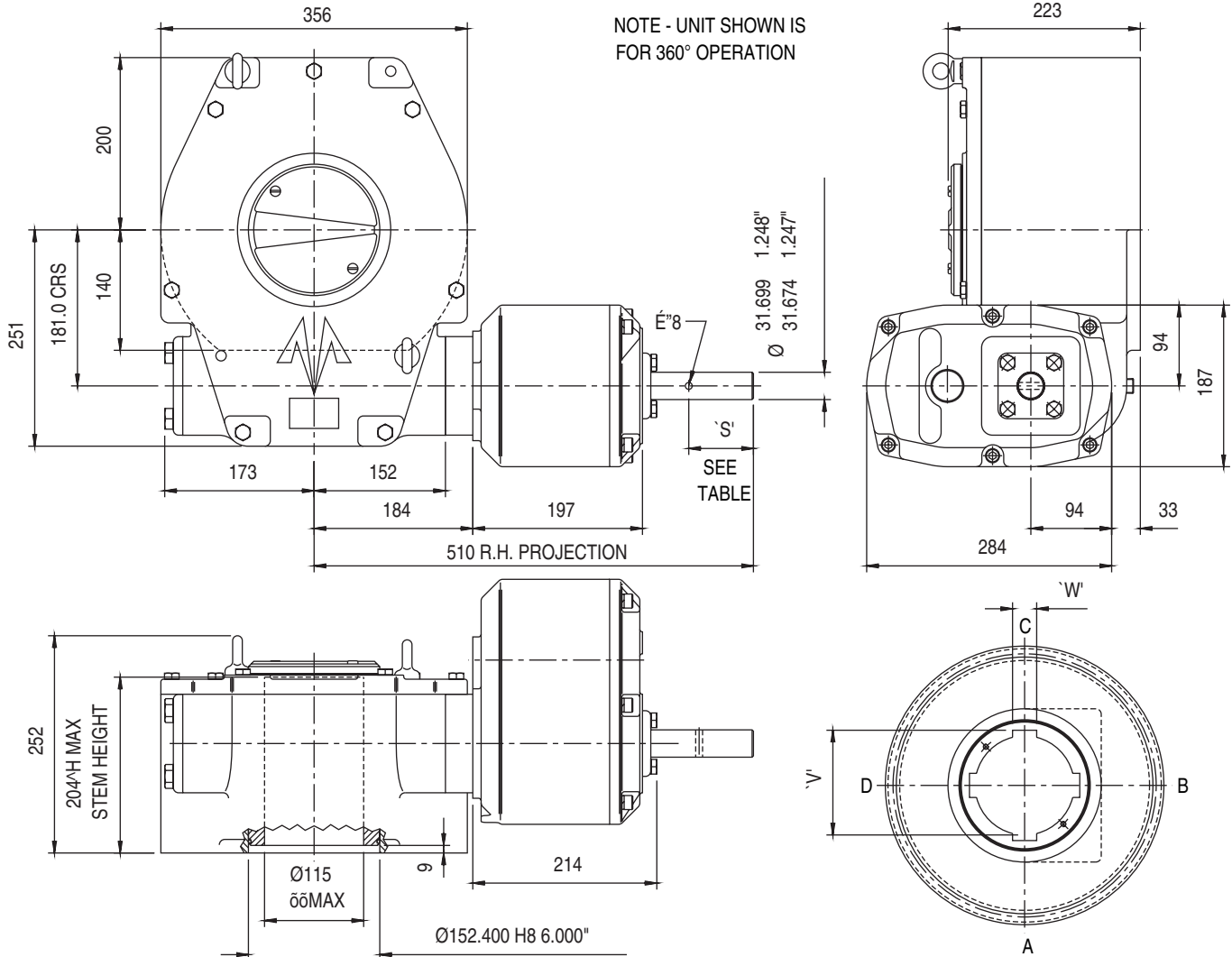
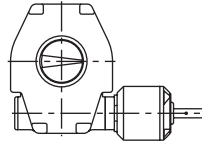


ACTUATOR TYPE - MWJF50/D9

NO STOPSCREWS
FOR 360° ROTATION
ØØNO LEGENDS



NOTE - UNIT SHOWN IS
FOR 360° OPERATION

GENERAL INFORMATION

TRAVEL.....360°
RATIO.....452:1
TURNS FOR 360° OUTPUT ROTATION.....452

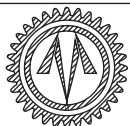
MECHANICAL ADVANTAGE.....116.6 +/- 10%
MAXIMUM OUTPUT TORQUE.....11891 Nm
MAXIMUM INPUT TORQUE.....102 Nm

MOUNTING HOLE DETAIL: PREFERRED....F25 (8 x M16 ON 254 PCD)
MAXIMUM.....F25
MINIMUM.....F20 (8 x M12 ON 197 PCD)

APPROXIMATE WEIGHT.....168 Kg (excluding handwheel)

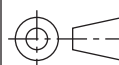
OUTPUT KEYWAY DETAILS
SHOWN IN OPEN POSITION

HANDWHEEL DATA		
HANDWHEEL DIA		'S'
18"	457	45
24"	610	45
30"	762	45
36"	914	63



OPPERMAN MASTERGEAR

Hambridge Road, Newbury, Berkshire, RG14 5TS. ENGLAND
Telephone: (01635) 811500 Telefax: (01635) 811501



DIMENSIONS IN	SCALE	DRAWING No.
MM INCHES	1:7.5	ME-15512

THIS DRAWING/DESIGN IS THE PROPERTY OF OPPERMAN MASTERGEAR LTD. AND ©
MUST NOT BE USED OR COPIED WITHOUT THEIR SPECIFIC WRITTEN CONSENT.

REV. A
20DEC95