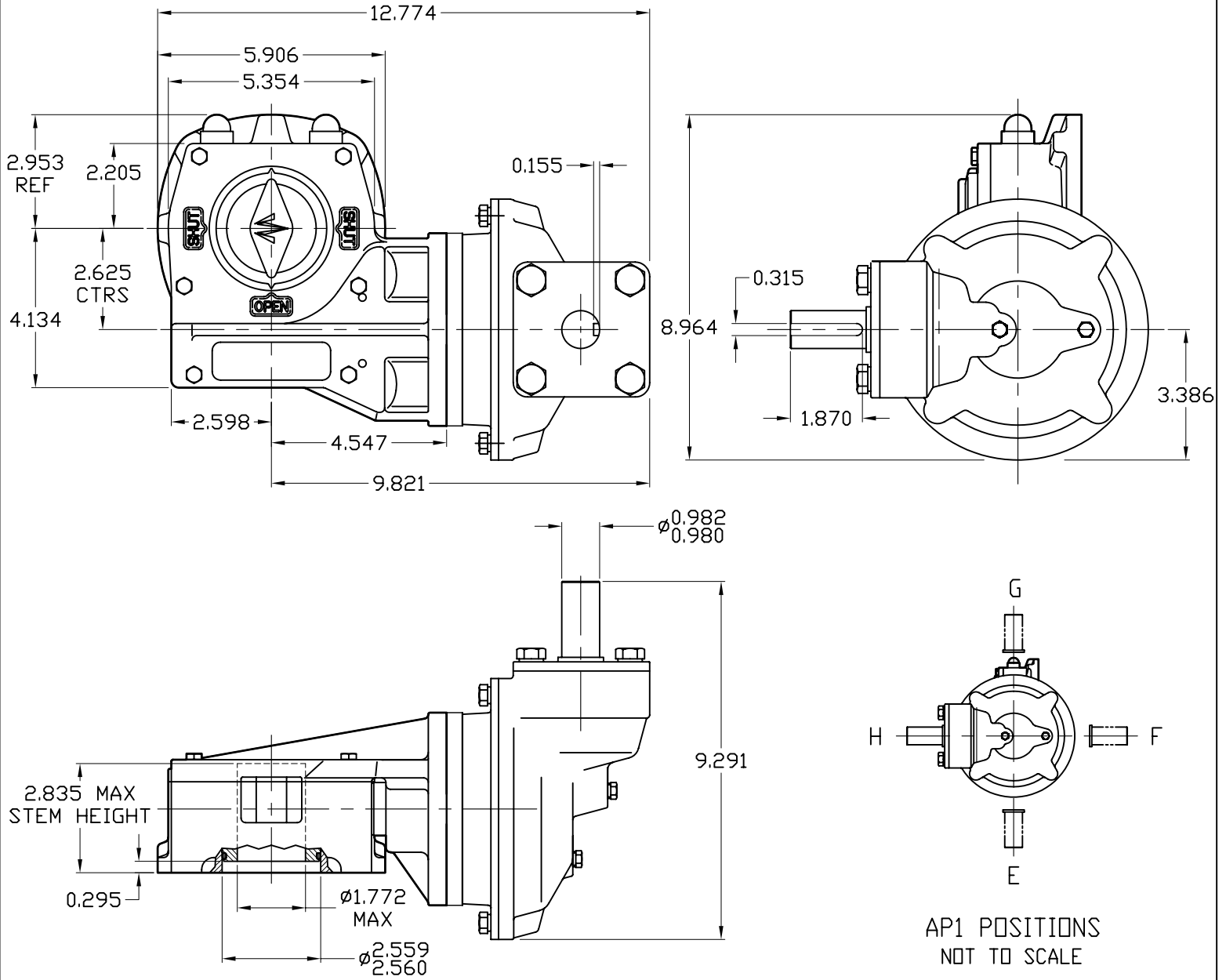


ACTUATOR: MF12/AP1



GENERAL INFORMATION

TRAVEL.....90° ±5° AT BOTH ENDS
 RATIO.....74:1
 TURNS TO CLOSE.....18.5

MECHANICAL ADVANTAGE.....16.95 ±10%
 MAXIMUM OUTPUT TORQUE.....8800 IN-LBS
 MAXIMUM INPUT TORQUE.....519 IN-LBS

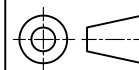
MOUNTING HOLE DETAIL: PREFERRED....FA12 (4 × 1/2-13 ON 4.95 BCD)
 (MSS SP-101) MAXIMUM.....FA14 (4 × 5/8-11 ON 5.50 BCD)
 MINIMUM.....FA10 (4 × 3/8-16 ON 4.00 BCD)

APPROXIMATE WEIGHT.....45.96 LB



MASTERGEAR

A REGAL BELOIT COMPANY
 5466 EAST ROCKTON RD. · SOUTH BELOIT, IL 61080



DIMENSIONS
 IN
 INCHES

SCALE

1:4

DRAWING
 No.

MF12/AP1

THIS PRINT IS CONFIDENTIAL AND IS THE PROPERTY OF MASTERGEAR. THIS PRINT SHALL NOT BE USED.
 COPIED OR REPRODUCED IN WHOLE OR IN PART NOR SHALL THE CONTENTS BE REVEALED IN ANY
 MANNER TO ANYONE UNLESS WRITTEN PERMISSION IS OBTAINED FROM MASTERGEAR.



NJC

REV. -
 -