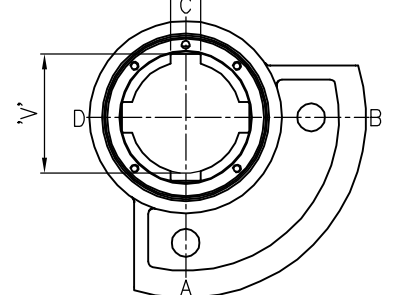
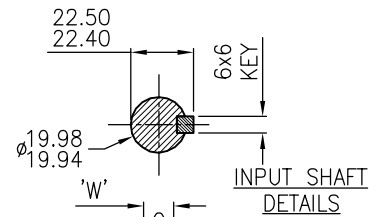
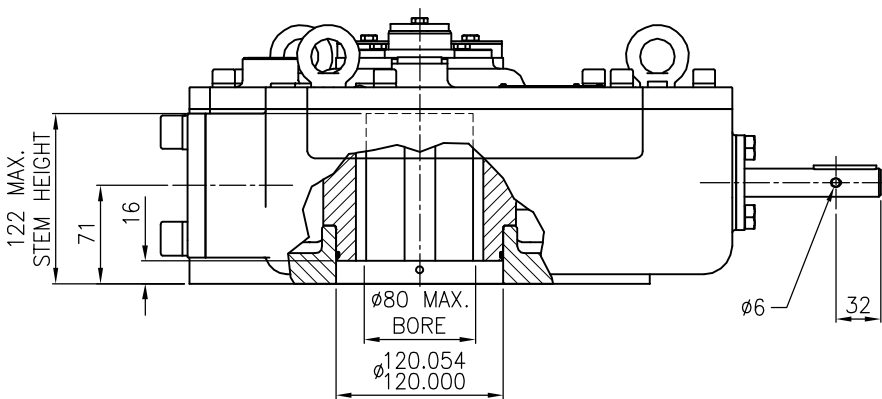
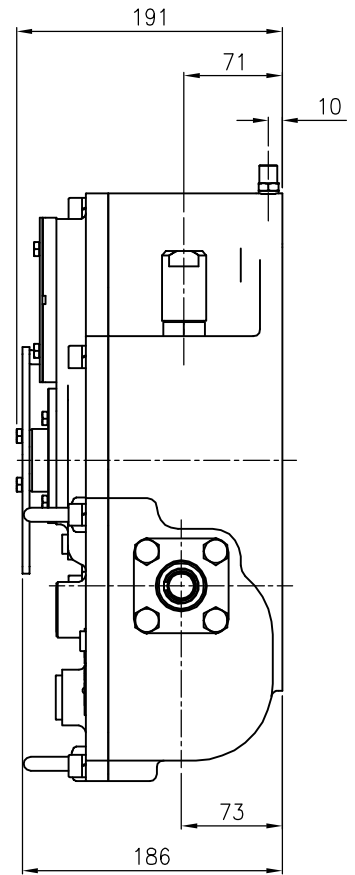
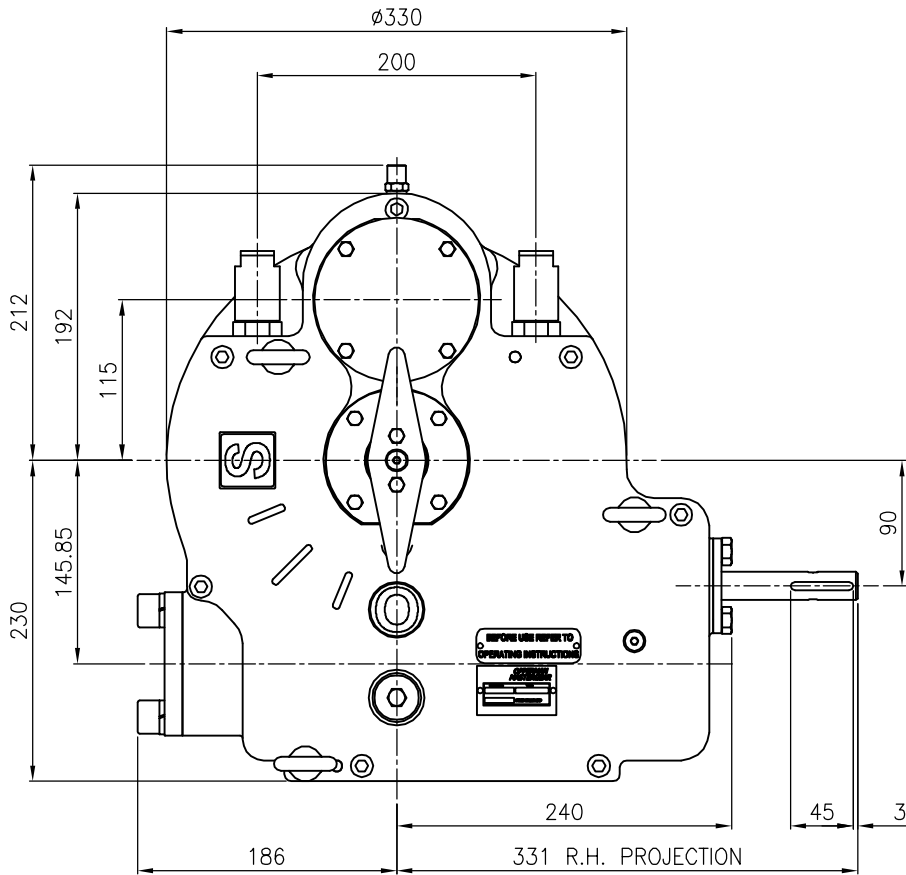



# ACTUATOR: M20 SUBSEA

# SL150




**CAPSTAN TYPE HANDWHEEL**  
 REFERENCE - C4-24  
 DIAMETER - 600mm (24")  
 OVER SPOKE - 800mm (32")

OUTPUT KEYWAY DETAILS  
SHOWN IN OPEN POSITION

TRAVEL ..... 90° ±5° AT BOTH ENDS  
 RATIO ..... 183:1  
 TURNS TO CLOSE ..... 45.75

MECHANICAL ADVANTAGE ..... 57.0 ± 10%  
 MAXIMUM OUTPUT TORQUE(1000 Cycles). 8000 Nm  
 MAXIMUM INPUT TORQUE ..... 140 Nm

MOUNTING HOLE DETAIL (ISO 5211)

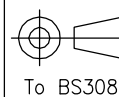
PREFERRED ..... F25 (8 x M16 ON 254 PCD)  
 MAXIMUM ..... F30 (8 x M20 ON 298 PCD)  
 MINIMUM ..... F16 (4 x M20 ON 165 PCD)

APPROXIMATE WEIGHT ..... 83.5 kg



**OPPERMAN MASTERGEAR**

Hambridge Lane, Newbury, Berkshire, RG14 5TS. ENGLAND  
Tel: 01635 811500 Fax: 01635 811501 E-Mail: sales@opperman-mastergear.co.uk



To BS308

DIMENSIONS  
 IN  
 MM [INCHES]

DATE	06Aug08
DRAWN	PAB
CHECKED	
SCALE	1:5

This drawing/design is the property of OPPERMAN MASTERGEAR Ltd. © and must not be used or copied without their specific written consent. Specifications may change without prior notification

DRG No. ME-16161

REV. A