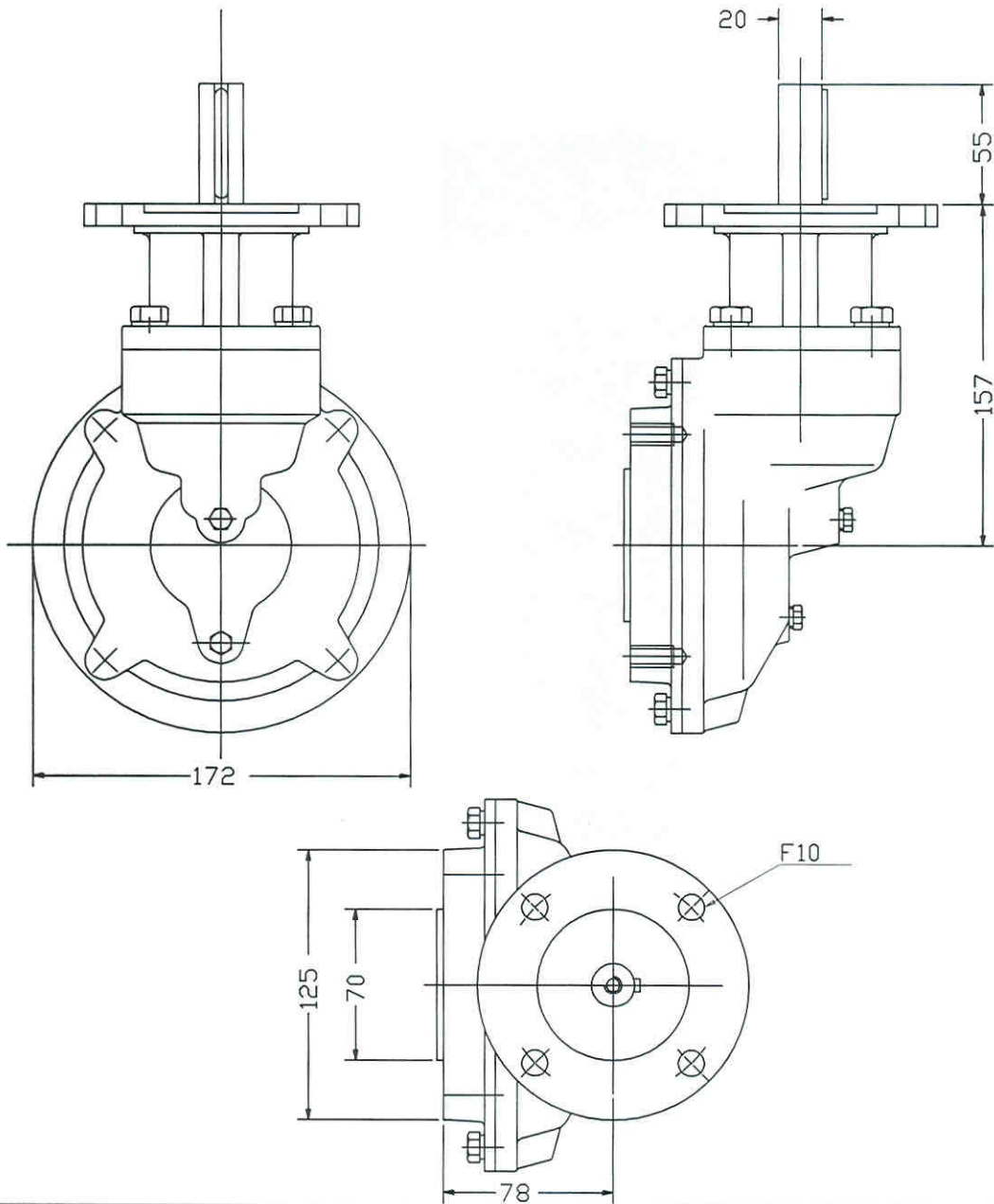


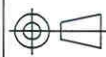
# Bevel Gearbox Type AP1 - AP1M with BM F10



Special:...../.  
 Painting:.....Primer black  
 Output-Bore .....20 mm

Specification:.....SL039  
 Max. Output Torque:.....310 Nm  
 Max. Input Torque:.....207 Nm  
 Ratio:.....1,762 : 1  
 Mech. Advantage:.....1,5 ±10%  
 Base Flange:.....F10


**CML MASTERGEAR**  
 VIA DEL BRUGO, 5 - 20025 LEGNANO (MI) - ITALY  
 Telephone: (0331) 548847- 544653 Telefax: (0331) 592800



|                  |       |                |
|------------------|-------|----------------|
| DIMENSIONS<br>IN | SCALE | DRAWING<br>No. |
| MM               | 1:1,5 | CI:            |

THIS DRAWING/DESIGN IS THE PROPERTY OF CML MASTERGEAR © AND MUST NOT BE USED OR COPIED WITHOUT THEIR SPECIFIC WRITTEN CONSENT.

REV. A  
01.03.04HL