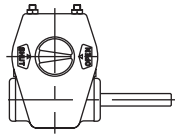
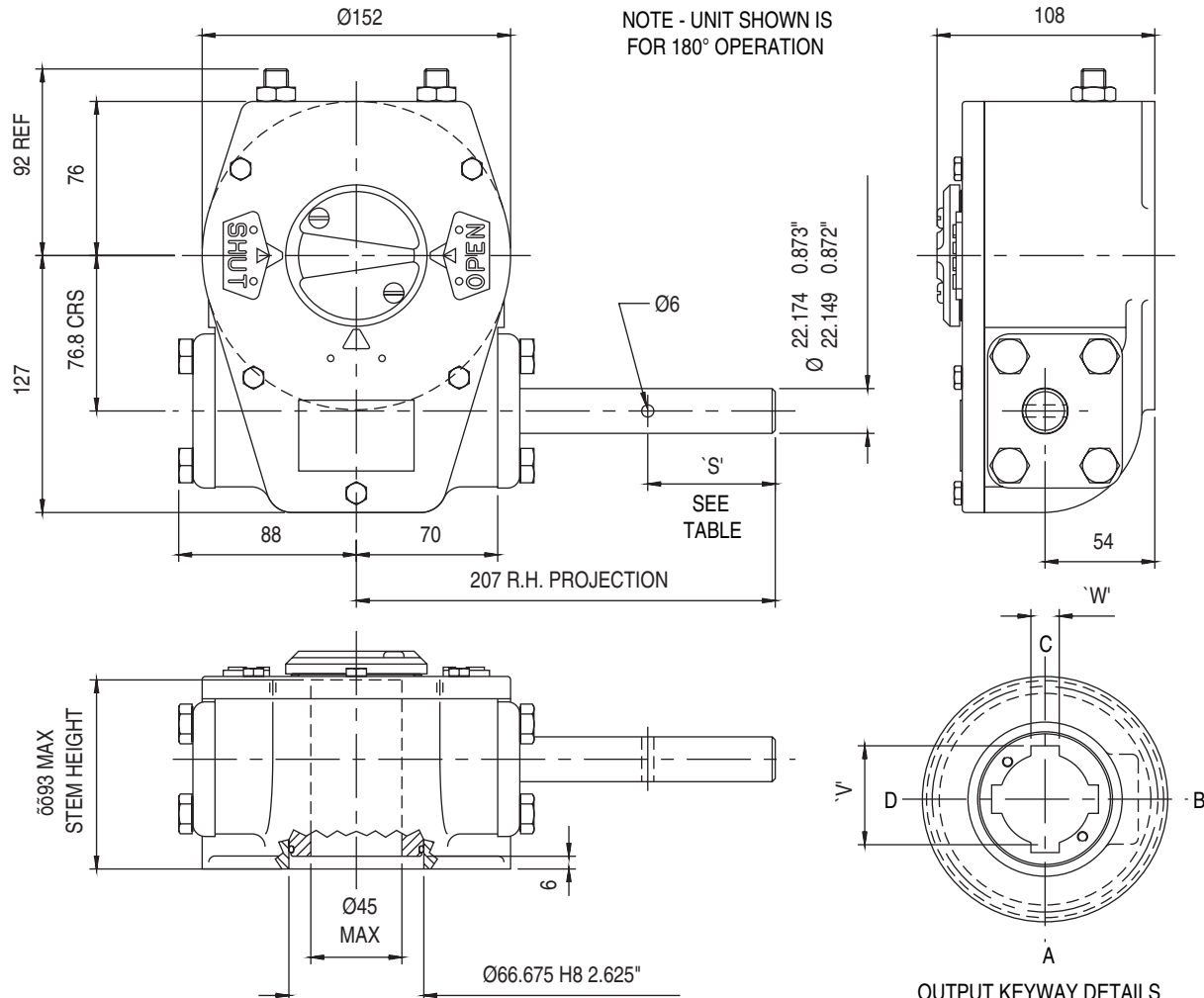
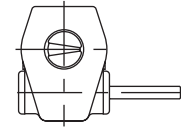


ACTUATOR TYPE - MWYF40

66TWO STOPSCREWS
FOR 180° ROTATION
OPEN AND SHUT LEGENDS



NO STOPSCREWS
FOR 360° ROTATION
66NO LEGENDS



GENERAL INFORMATION

TRAVEL.....180° +/- 5° AT BOTH ENDS
OR 360°
 RATIO.....40:1
 TURNS TO CLOSE.....20 AT 180°

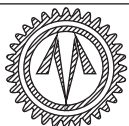
MECHANICAL ADVANTAGE.....10.0 +/- 10%
 MAXIMUM OUTPUT TORQUE.....1356 Nm
 MAXIMUM INPUT TORQUE.....135.0 Nm

MOUNTING HOLE DETAIL: PREFERRED....F12 (4 x M12 ON 125 PCD)
 MAXIMUM.....F12
 MINIMUM.....F10 (4 x M10 ON 102 PCD)

APPROXIMATE WEIGHT.....14 Kg (excluding handwheel)

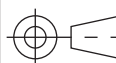
OUTPUT KEYWAY DETAILS
SHOWN IN OPEN POSITION

HANDWHEEL DATA		
HANDWHEEL DIA	'S'	
10"	254	32
12"	305	32
14"	356	32
18"	457	45
24"	610	45
30"	762	45
36"	914	63



OPPERMAN MASTERGEAR

Hambridge Road, Newbury, Berkshire, RG14 5TS. ENGLAND
 Telephone: (01635) 811500 Telefax: (01635) 811501



DIMENSIONS
IN

SCALE

DRAWING
No.

MM INCHES

1:3.5

ME-15501

THIS DRAWING/DESIGN IS THE PROPERTY OF OPPERMAN MASTERGEAR LTD. AND ©
 MUST NOT BE USED OR COPIED WITHOUT THEIR SPECIFIC WRITTEN CONSENT.

REV. A
 03OCT95