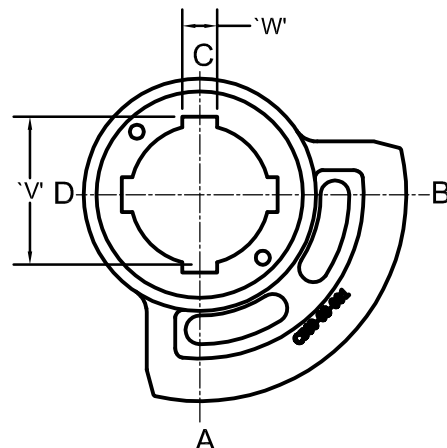
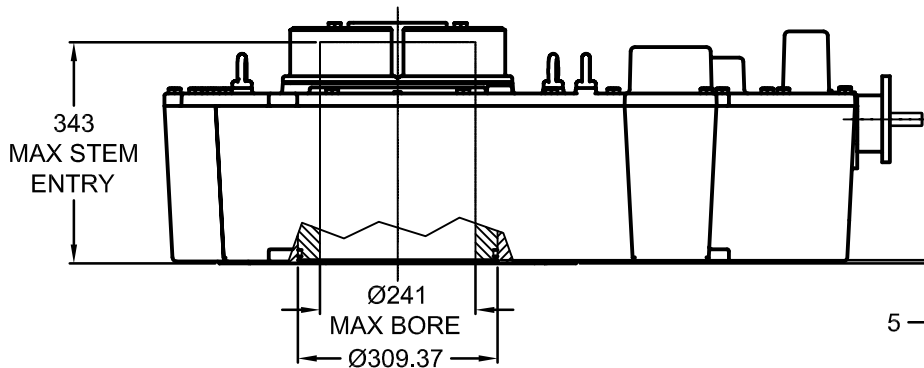
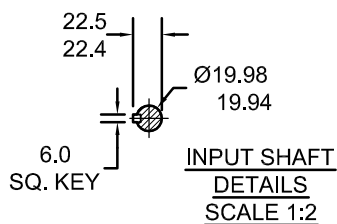
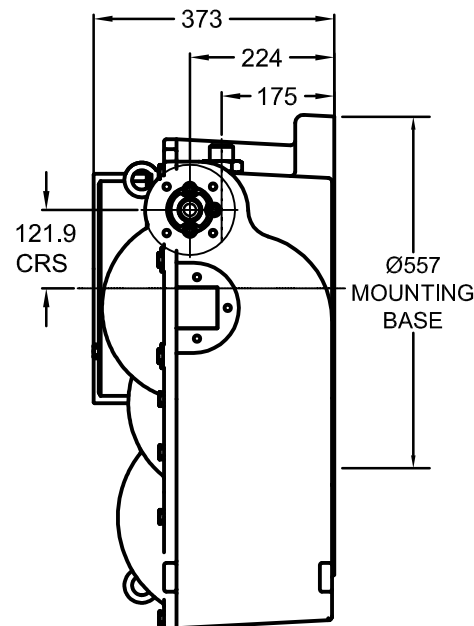
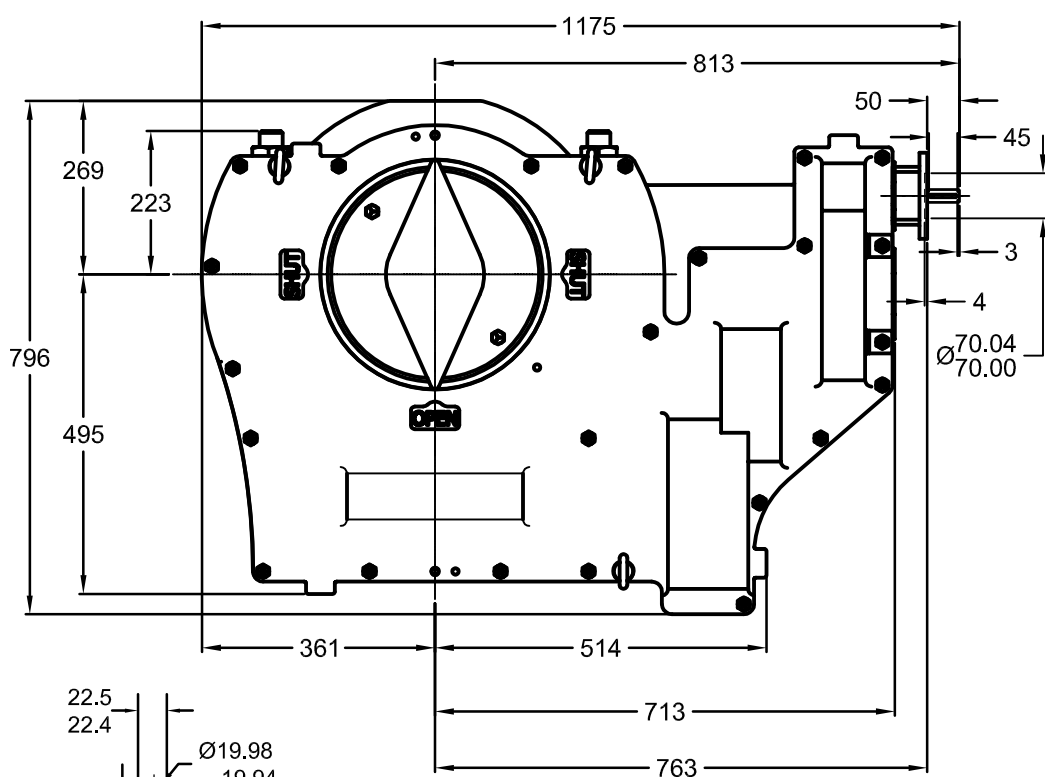


# ACTUATOR: MF60/F10

# SL039



## GENERAL INFORMATION

TRAVEL.....90° ±5° AT BOTH ENDS

RATIO.....3407.8:1

TURNS TO CLOSE.....681.56

MECHANICAL ADVANTAGE...1,102.2 ±10%

MAXIMUM OUTPUT TORQUE(2500 CYCLES)....112,584 Nm

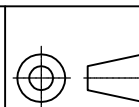
MAXIMUM INPUT TORQUE(2500 CYCLES).....102 Nm

MOUNTING HOLE DETAIL: PREFERRED....F48 (12 x M36 ON 483 BCD)

(ISO 5211) MAXIMUM.....F48

MINIMUM.....F40 (8 x M36 ON 406 BCD)

APPROXIMATE WEIGHT.....797 Kg



DIMENSIONS  
IN  
INCHES

SCALE

1:12

DRAWING  
No.

MF60/F10  
METRIC

THIS PRINT IS CONFIDENTIAL AND IS THE PROPERTY OF MASTERGEAR. THIS PRINT SHALL NOT BE USED, COPIED OR REPRODUCED IN WHOLE OR IN PART NOR SHALL THE CONTENTS BE REVEALED IN ANY MANNER TO ANYONE UNLESS WRITTEN PERMISSION IS OBTAINED FROM MASTERGEAR.

JLP

REV. A

9/17/09