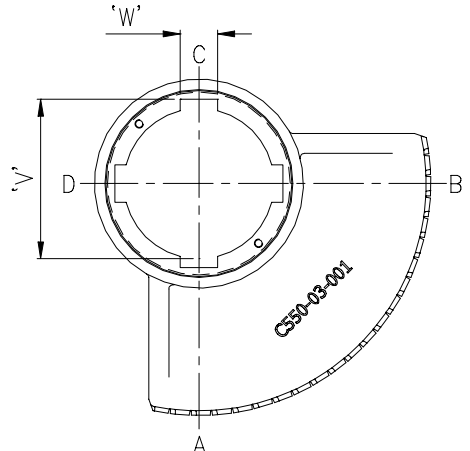
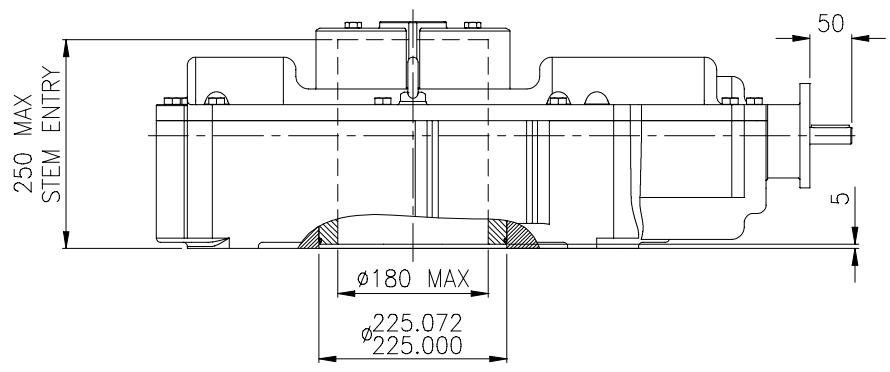


4 HOLES $\phi 11$ THRU
EQUI-SPACED AS SHOWN
ON 102 PCD



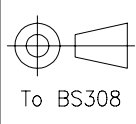
OUTPUT KEYWAY DETAILS
SHOWN IN OPEN POSITION

TRAVEL	90° ±5° AT BOTH ENDS	MAXIMUM OUTPUT TORQUE (1000 CYCLES).....	50000 Nm
RATIO	1219.8:1	MAXIMUM OUTPUT TORQUE (5000 CYCLES).....	41670 Nm
TURNS TO CLOSE	304.95	MAXIMUM INPUT TORQUE (1000 CYCLES).....	130 Nm
MECHANICAL ADVANTAGE ...	384.6 ±10%	MAXIMUM INPUT TORQUE (5000 CYCLES).....	108 Nm

MOUNTING HOLE DETAIL (BSENISO 5211:2001)	APPROXIMATE WEIGHT	295.8 kg
PREFERRED	F48 (12 x M36 on 483 PCD)	
MAXIMUM	F48 (12 x M36 on 483 PCD)	
MINIMUM	F25 (8 x M16 on 254 PCD)	



OPPERMAN MASTERGEAR
Hambridge Lane, Newbury, Berkshire, RG14 5TS. ENGLAND
Tel: 01635 811500 Fax: 01635 811501 E-Mail: sales@opperman-mastergear.co.uk



DIMENSIONS IN MM [INCHES]	DATE	01Feb08
	DRAWN	BJH
	CHECKED	KDR
	SCALE	1:9

This drawing/design is the property of OPPERMAN MASTERGEAR Ltd. © and must not be used or copied without their specific written consent. Specifications may change without prior notification

DRG No.	ME-15451	REV.	A
---------	----------	------	---