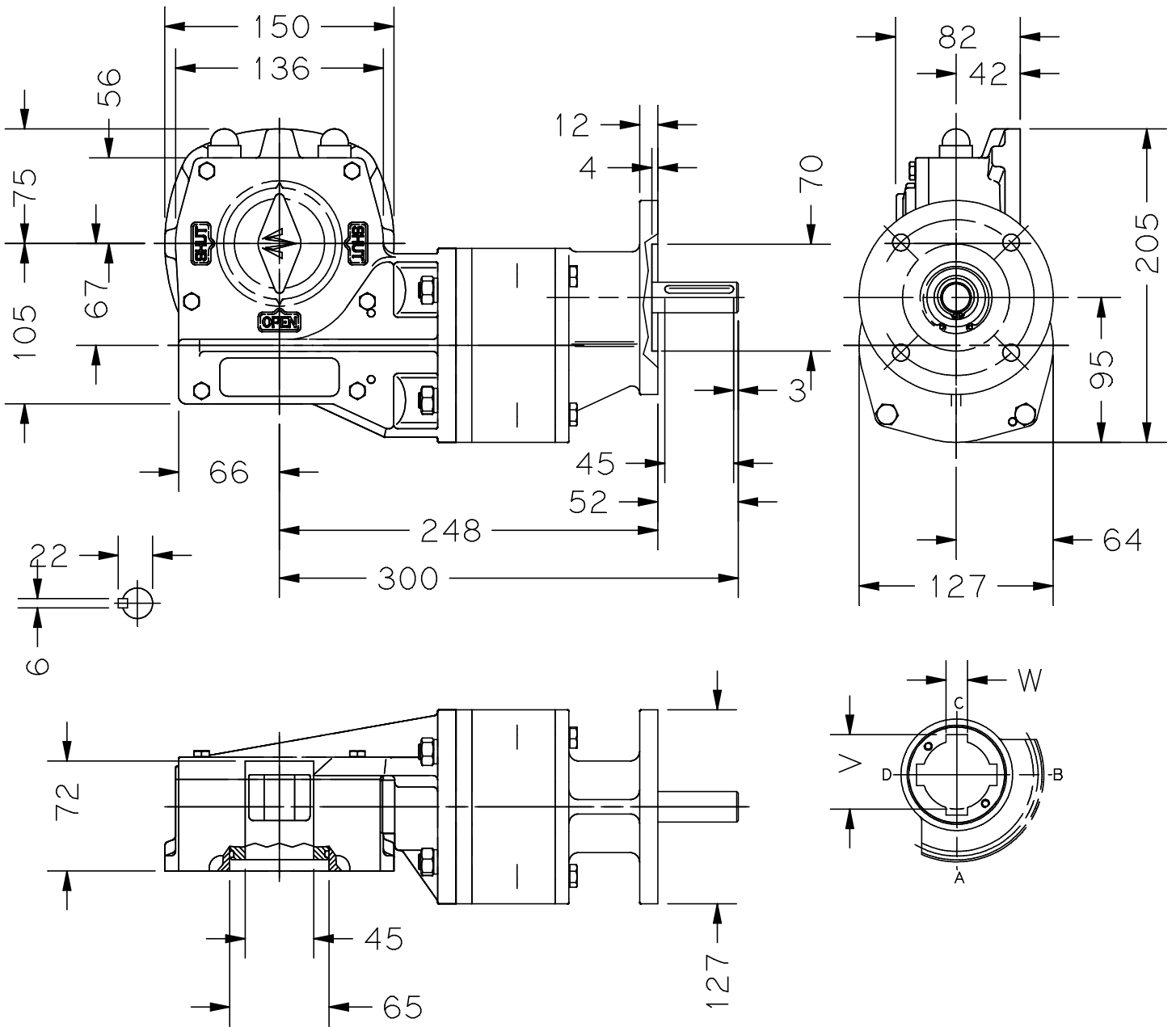


ACTUATOR: MF 12/SI3.5/F 10

SL039



GENERAL INFORMATION

TRAVEL.....90° ±5° AT BOTH ENDS
 RATIO.....147:1
 TURNS TO CLOSE.....36.75

MECHANICAL ADVANTAGE.....37.3 ±10%
 MAXIMUM OUTPUT TORQUE.....1.000 Nm
 MAXIMUM INPUT TORQUE.....26.8 Nm

MOUNTING HOLE DETAIL: PREFERRED....F12
 MAXIMUM.....F14
 MINIMUM.....F10

APPROXIMATE WEIGHT.....17.4 kg



MASTERGEAR

A REGAL BELOIT COMPANY
 5466 EAST ROCKTON RD. SOUTH BELOIT, IL 61080



DIMENSIONS
 IN
 MM

SCALE

1:4

DRAWING
 No.

MF12/SI3.5/
 F10

THIS PRINT IS CONFIDENTIAL AND IS THE PROPERTY OF MASTERGEAR. THIS PRINT SHALL NOT BE USED, COPIED OR REPRODUCED IN WHOLE OR IN PART NOR SHALL THE CONTENTS BE REVEALED IN ANY MANNER TO ANYONE UNLESS WRITTEN PERMISSION IS OBTAINED FROM MASTERGEAR.

REV. B
 9/1/06