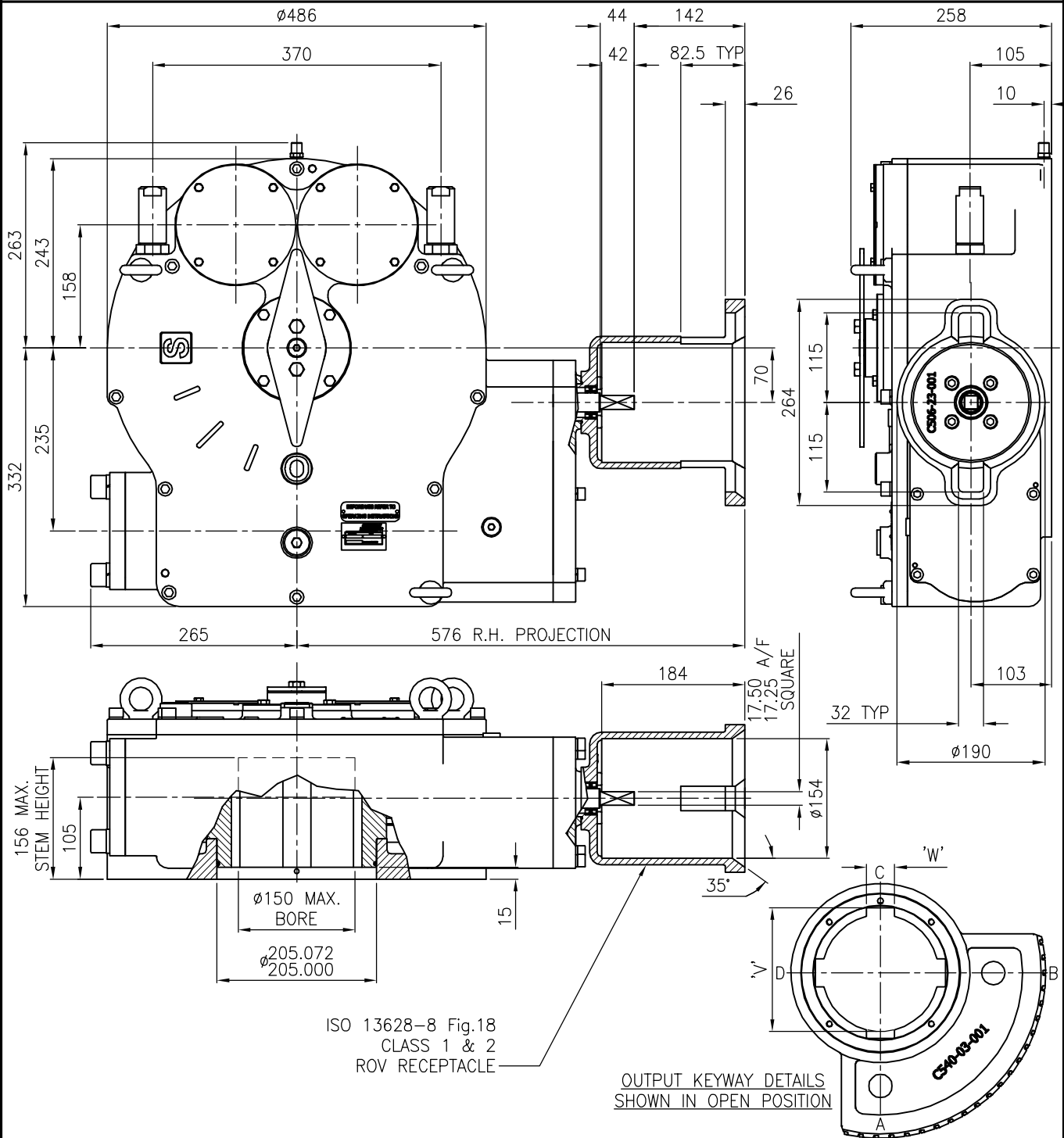


ACTUATOR: M40 SUBSEA (CLASS 1 & 2) SL150



TRAVEL	90° ±5° AT BOTH ENDS	MECHANICAL ADVANTAGE	188.7± 10%
RATIO	615:1	MAXIMUM OUTPUT TORQUE(1000 Cycles).....	24000 Nm
TURNS TO CLOSE	153.75	MAXIMUM INPUT TORQUE	127 Nm

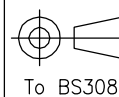
MOUNTING HOLE DETAIL (BSENISO 5211:2001)

PREFERRED	F40 (8 x M36 ON 406 PCD)	APPROXIMATE WEIGHT	262 kg
MAXIMUM	F48 (8 x M36 ON 483 PCD)		
MINIMUM	F25 (8 x M16 ON 254 PCD)		



OPPERMAN MASTERGEAR

Hambridge Lane, Newbury, Berkshire, RG14 5TS. ENGLAND
Tel: 01635 811500 Fax: 01635 811501 E-Mail: sales@opperman-mastergear.co.uk



DIMENSIONS
IN
MM [INCHES]

DATE	27Aug08
DRAWN	PAB
CHECKED	
SCALE	1:7

This drawing/design is the property of OPPERMAN MASTERGEAR Ltd. © and must not be used or copied without their specific written consent. Specifications may change without prior notification

DRG No. ME-16166-2

REV. A