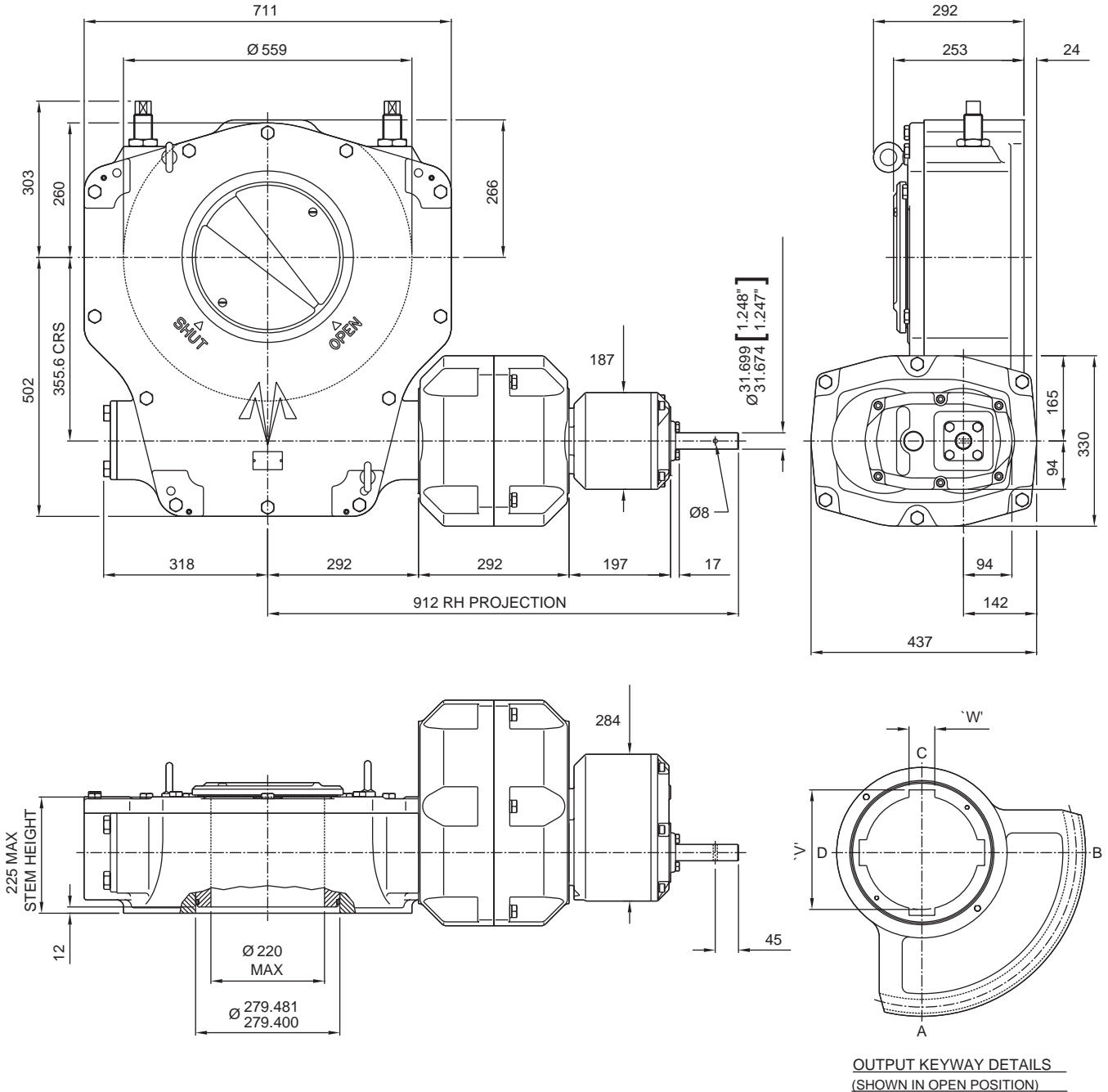


ACTUATOR TYPE - MTF50/DB6/D9

SL039

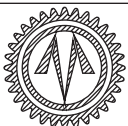


TRAVEL.....90° +/- 5° AT BOTH ENDS
 RATIO.....2699:1
 TURNS TO CLOSE.....674.75

MECHANICAL ADVANTAGE.....520.3 +/- 10%
 MAXIMUM OUTPUT TORQUE.....79089 Nm
 MAXIMUM INPUT TORQUE.....152 Nm

MOUNTING HOLE DETAIL (BSENISO 5211:2001):
 PREFERRED....F40 (8 x M36 ON 406 PCD)
 MAXIMUM.....F48 (12 x M36 ON 483 PCD)
 MINIMUM.....F35 (8 x M30 ON 356 PCD)

APPROXIMATE WEIGHT.....723 Kg



OPPERMAN MASTERGEAR

Hambridge Road, Newbury, Berkshire, RG14 5TS. ENGLAND
 Telephone: (01635) 811500 Telefax: (01635) 811501



DIMENSIONS IN	SCALE	DRAWING No.
MM INCHES	1:6.5	

THIS DRAWING/DESIGN IS THE PROPERTY OF OPPERMAN MASTERGEAR LTD. AND
 MUST NOT BE USED OR COPIED WITHOUT THEIR SPECIFIC WRITTEN CONSENT.