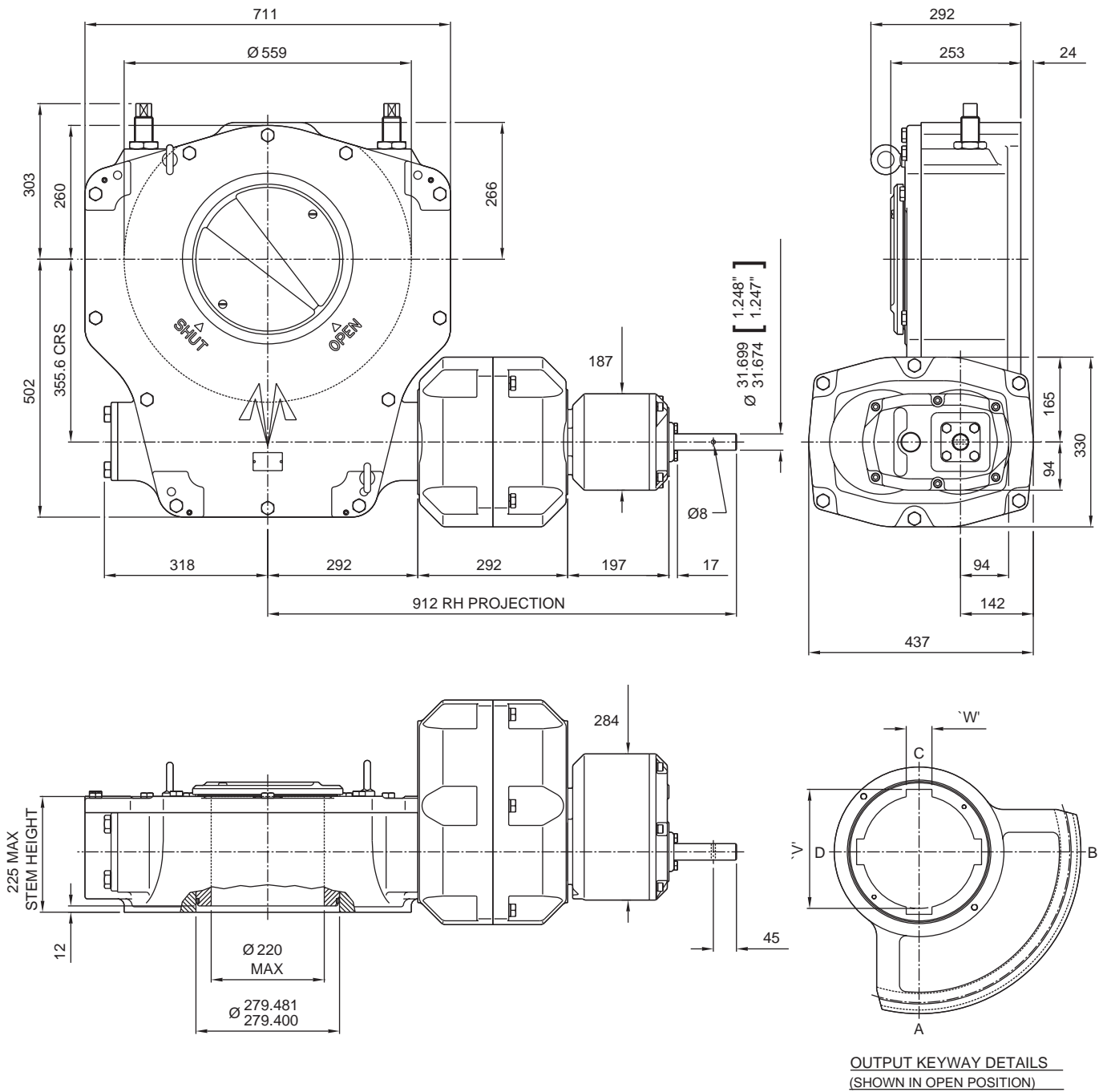


ACTUATOR TYPE - M83/DB9/D9

SL039

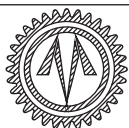


TRAVEL..... $90^\circ \pm 5^\circ$ AT BOTH ENDS
 RATIO.....3254:1
 TURNS TO CLOSE.....813.5

MECHANICAL ADVANTAGE.....669.8 $\pm 10\%$
 MAXIMUM OUTPUT TORQUE.....112533 Nm
 MAXIMUM INPUT TORQUE.....168 Nm

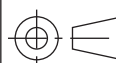
MOUNTING HOLE DETAIL (BSENISO 5211:2001):
 PREFERRED....F40 (8 x M36 ON 406 PCD)
 MAXIMUM.....F48 (12 x M36 ON 483 PCD)
 MINIMUM.....F35 (8 x M30 ON 356 PCD)

APPROXIMATE WEIGHT.....723 Kg



OPPERMAN MASTERGEAR

Hambridge Road, Newbury, Berkshire, RG14 5TS. ENGLAND
 Telephone: (01635) 811500 Telefax: (01635) 811501



DIMENSIONS
 IN

SCALE

DRAWING
 No.

MM INCHES

1:6.5

ME15075

THIS DRAWING/DESIGN IS THE PROPERTY OF OPPERMAN MASTERGEAR LTD. AND
 MUST NOT BE USED OR COPIED WITHOUT THEIR SPECIFIC WRITTEN CONSENT.