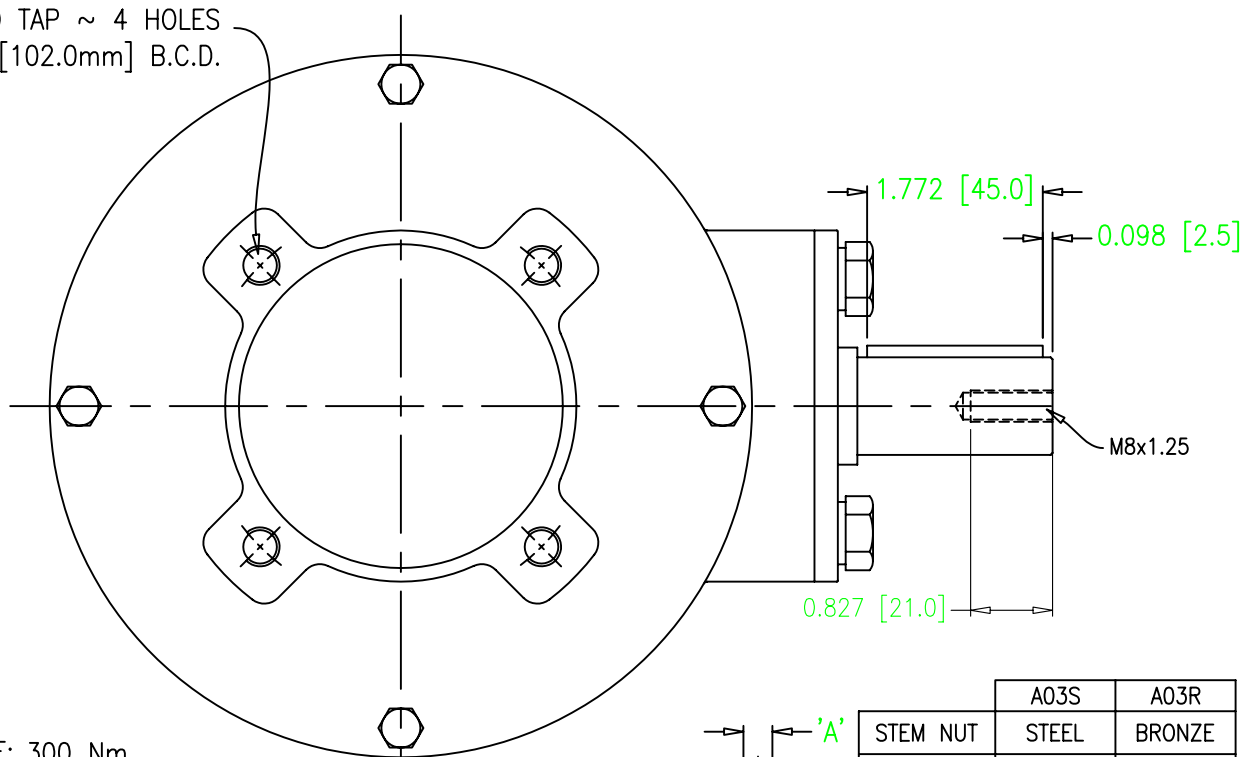
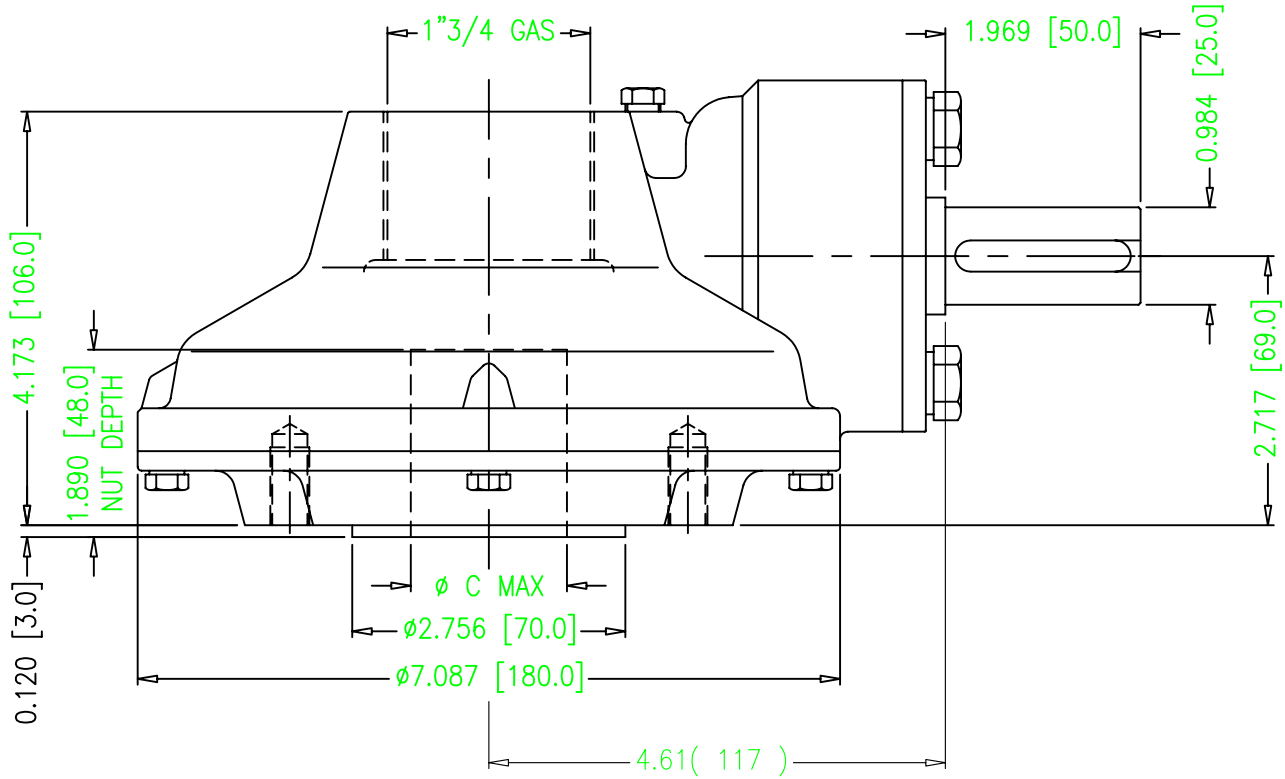


A03 BEVEL GEAR ISO



NOTES:

1. TORQUE: 300 Nm
2. MECHANICAL ADVANTAGE: 1.95
3. RATIO: 2.3:1
4. DIMENSIONS: IN [MM]
5. OUTPUT FLANGE: ISO F10

	A03S	A03R
STEM NUT	STEEL	BRONZE
THRUST	-	40 KN
'A' MAX	14	-
'B' MAX	48.8	-
Ø 'C' MAX	45	40



COSTRUZIONI MECCANICHE LEGNANESI

MASTERGEAR

DIVISION OF REGAL-BELOIT CORPORATION
5466 EAST ROCKTON RD. · SOUTH BELOIT, IL 61080

THIS DRAWING/DESIGN IS THE PROPERTY OF MASTERGEAR. AND MUST NOT BE USED WITHOUT THEIR SPECIFIC WRITTEN CONSENT. ©

DO NOT SCALE
APPROVED BY
LD

DRAWING No.
A03 ISO
REV.0
16-04-03